



®

Products type-choosing manual

产品选型手册

第12版 **Ex**

全塑防爆类

飞策防爆电器股份有限公司  
FEICE EXPLOSION-PROOF ELECTRIC CO.,LTD

## 中国·飞策防爆电器股份有限公司

### 产品样册

### 全塑防爆类

防爆防腐电器.....	
BF28158-S 系列防爆防腐操作柱.....	3
BF28159-S 系列防爆防腐断路器.....	6
BF28158-S 系列防爆防腐控制箱.....	9
BF28159-S 系列防爆防腐照明（动力）配电箱.....	12
BF28158-S 系列防爆防腐接线箱.....	16
8050/11 系列防爆防腐主令控制器.....	19
LA5821-系列防爆防腐控制按钮.....	22
BJH8030/口-系列防爆防腐接线盒.....	24
防爆防腐灯具.....	
BYS-系列防爆防腐全塑（LED）荧光灯.....	27
BYS-口 x 口 Y 系列防爆防腐洁净（LED）荧光灯.....	30
BYS-III 系列防爆防腐全塑荧光灯.....	32
防爆防腐插接装置.....	
BCZ8030-系列防爆防腐插接装置.....	35
BCZ8060-系列防爆防腐插接装置.....	38



### ■ 适用范围 Applications

1. 广泛用于石油开采、炼油、化工、海洋石油平台、油轮等易燃易爆气体环境，也用于军工、港口、粮食储存、金属加工等可燃性粉尘场所；
2. 适用于爆炸性气体环境的1区、2区；
3. 适用于IIA、IIB、IIC类爆炸性气体环境；
4. 适用于可燃性粉尘环境的21区、22区；
5. 适用于含有腐蚀性气体、潮湿、防护要求较高的场所；
6. 适用于温度组别为T1~T6；
7. 作远距离操作电磁电器或在被控电机附近就地间接对电机进行控制，并可通过电工仪表及信号灯观察所控电路的运行情况。

1. It is widely used in flammable and explosive gas environment such as oil exploitation, refining, chemical industry, offshore oil platform, oil tanker, etc. It is also used in flammable dust places such as military industry, port, grain storage and metal processing;
2. Applicable to Zone 1 and Zone 2 of explosive gas environment;
3. Applicable to IIA, IIB, IIC explosive gas environment;
4. Applicable to areas 21 and 22 of flammable dust environment;
5. Applicable to corrosive gases, moisture, and high protection requirements place;
6. Applicable to the temperature group is T1 ~ T6;
7. Operate the electromagnetic appliance remotely or indirectly control the motor in the vicinity of the controlled motor, and observe the operation of the controlled circuit through the electrical instrument and signal light.

### ■ 执行标准 Executive standard

GB 3836.1、GB 3836.2、GB 3836.3、GB 3836.9、GB 12476.1、GB 12476.5、IEC 60079-0、IEC 60079-1、IEC 60079-7、IEC 61241-0、IEC 61241-1、EN 60079-0、EN 60079-1、EN 60079-7、EN 61241-0、EN 61241-1

### ■ 产品特点 Features

1. 外壳采用高强度、耐腐蚀、热稳定性好的玻璃纤维不饱和聚酯树脂工程塑料材质压制而成，产品表面有“Ex”防爆标志。
2. 增安型防爆外壳，内装我公司自行研制的防爆指示灯、防爆按钮、防爆电工仪表、防爆控制开关、防爆电位器等多种电器元件。
3. 转换开关功能可根据用户要求进行选择。
4. 可根据用户要求可选择指示灯、按钮、仪表、开关等电器元件，进行合理排列组合。户外的产品可根据用户要求配置防雨罩。
5. 安装方式为立式或挂式，也可根据用户要求特制。进线方式可做上进线或下进线。
6. 产品设计有曲路迷宫式密封结构，通过连续线浇形成双组份聚氨酯发泡密封胶条，具有可靠的防水、防尘性能。
7. 所有外露紧固件均采用不锈钢材质。

1. The outer casing is made of high-strength, corrosion-resistant and heat-resistant glass fiber unsaturated polyester resin engineering plastic material. The surface of the product has "Ex" explosion-proof mark.
2. Increased safety explosion-proof casing, equipped with explosion-proof indicator lights, explosion-proof buttons, explosion-proof electrical instruments, explosion-proof control switches, explosion-proof potentiometers and other electrical components developed by our company.
3. The transfer switch function can be selected according to user requirements.
4. According to the user's requirements, you can select the electrical components such as indicators, buttons, meters, switches, etc., and make a reasonable arrangement. Outdoor products can be equipped with rain cover according to user requirements.
5. The installation method is vertical or hanging, and can also be customized according to user requirements. The incoming line can be made into the upper or lower line.
6. The product design has a curved labyrinth seal structure, which is formed by continuous wire casting to form a two-component polyurethane foam sealant strip, which has reliable waterproof and dustproof performance.
7. All exposed fasteners are made of stainless steel.

### ■ 主要技术参数 Main technical parameters

额定电压 Rated voltage(V)	额定电流 Rated current (A)	进线螺纹 Inlet thread	电缆外径(mm) Cable outer dia.
220/380	10	G $\frac{1}{2}$ ~G2 M16~M63	见 See P71~P76

注：立柱式下进线，进线螺纹规格一般为 G $\frac{1}{4}$ ，最大做到G1

Under the column into line, and into line thread specification is commonly G $\frac{1}{4}$ , the biggest do the G1

防爆标志 Ex-mark	防腐等级 Erosion-proof class	防护等级 Degree of protection
Ex d e llC T6 Gb Ex d e mb llC T6 Gb(带电压表时) Ex tD A21 IP66 T80C	WF2	IP65, IP66*

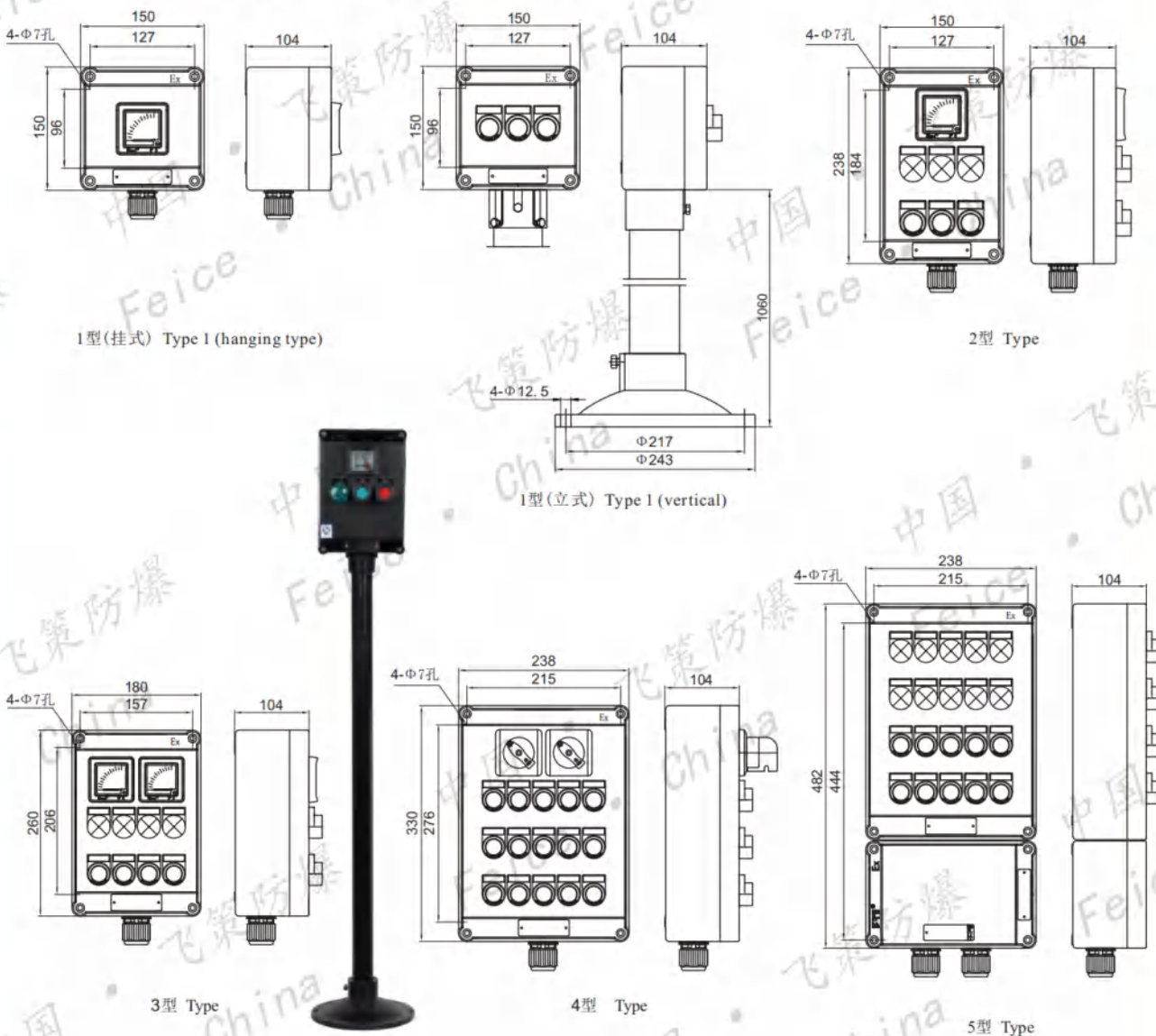
\*. 要求IP66，需注明。 IP66 requirements must be marked

防爆防腐操作柱、控制箱、主令电器类

■ 内装防爆元件见《防爆元件及配件类防爆产品》P225~P255。

For the explosion-proof components inside, see "Explosion-proof components for explosion-proof components and accessories P225~P255."

### ■ 外形及安装尺寸 Outline & installation dimensions



防爆防腐操作柱、控制箱、主令电器类

### ■ 订货须知 Order note

1. 本系列产品订货时用户须提供具体的电气原理图或接线图，我公司将根据用户要求来选择相应规格的壳体，出具相应的技术方案，供用户确认后生产；
2. 订货时请注明详细型号，规格，防爆标志及数量等；
3. 内装元件品牌若与我公司规格不一致时，订货时须注明；
4. 本系列产品内装元件在满足防爆标准要求时也可用户提供。

1. When ordering, user must supply the corresponding electrical diagram or wiring diagram. we should, select the right enclosure and offer you technical plan to manufacture after you confirm.
2. Please indicate the model, size, Ex-mark and QTY;
3. If the brand of built-in components is not same with ours, please indicate.
4. User can supply the built-in components if they satisfy the explosion-proof request.

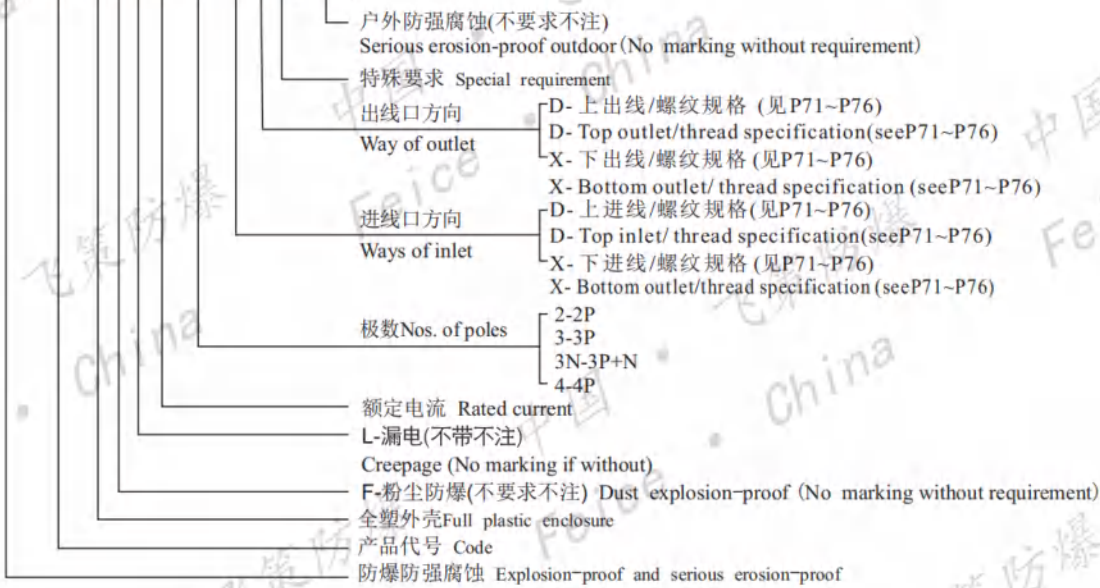
# BF28159-S系列防爆防腐断路器

## BF28159-S Series explosion & corrosion-proof circuit breaker



### 型号含义 Model implication

BF2 8159-S□□□/□/□□T WF2



### 适用范围 Applications

1. 广泛用于石油开采、炼油、化工、海洋石油平台、油轮等易燃易爆气体环境，也用于军工、港口、粮食储存、金属加工等可燃性粉尘场所；
2. 适用于爆炸性气体环境的1区、2区；
3. 适用于IIA、IIB、IIC类爆炸性气体环境；
4. 适用于可燃性粉尘环境的21区、22区；
5. 适用于含有腐蚀性气体、潮湿、防护要求较高的场所；
6. 适用于温度组别为T1~T6；
7. 作为通断电器装置和照明电路，也可用于电动机的不频繁启动并对电动机进行过载、短路和欠压保护。

1. It is widely used in flammable and explosive gas environment such as oil exploitation, refining, chemical industry, offshore oil platform, oil tanker, etc. It is also used in flammable dust places such as military industry, port, grain storage and metal processing;
2. Applicable to Zone 1 and Zone 2 of explosive gas environment;
3. Applicable to IIA, IIB, IIC explosive gas environment;
4. Applicable to areas 21 and 22 of flammable dust environment;
5. Applicable to corrosive gases, moisture, and high protection requirements place;
6. Applicable to the temperature group is T1 ~ T6;
7. As an electrical and electronic device and lighting circuit, it can also be used for electric motors. Infrequent starting and overload, short circuit and undervoltage protection of the motor.

防爆防腐断路器、开关、插接装置类

### ■ 执行标准 Executive standard

GB 3836.1、GB 3836.2、GB 3836.3、GB 12476.1、GB 12476.5、IEC 60079-0、IEC 60079-1、IEC 60079-7、IEC 61241-0、IEC 61241-1、EN 60079-0、EN 60079-1、EN 60079-7、EN 61241-0、EN 61241-1

### ■ 产品特点 Features

1. 外壳采用玻璃纤维增强不饱和聚酯树脂压制而成，外形美观，具有抗静电、抗光老化、耐腐蚀，耐冲击及热稳定性好等特点；
2. 行业首创并最新研发的大规格(电流)隔爆型单体断路器模块(250A、100A、63A Ex元件)能够满足增安型外壳防爆断路器的配套使用；
3. 内装防爆断路器模块。通过盖板上的专用操作机构实现全封闭操作，可根据要求加装挂锁，避免误操作；
4. 箱体与盖为迷宫式结构，采用双组份密封胶发泡胶条线浇一次成型，具有良好的防护性能；
5. 所有外露紧固件均采用不锈钢材质；
6. 进出线口通常采用管螺纹，配置电缆夹紧密封装置；也可根据用户现场要求，制成公制螺纹、NPT螺纹等形式；
7. 钢管、电缆布线均可。

1. The outer casing is made of glass fiber reinforced unsaturated polyester resin, which has beautiful appearance, antistatic, anti-photoaging, corrosion resistance, impact resistance and thermal stability.
2. The industry's first and most recently developed large-scale (current) flameproof single-circuit breaker module (250A, 100A, 63A Ex components) can meet the use of increased safety enclosure explosion-proof circuit breakers.
3. Built-in explosion-proof circuit breaker module. Fully enclosed operation is realized by a special operating mechanism on the cover plate, and a padlock can be added according to requirements to avoid misoperation.
4. The box and cover are labyrinth structure, which is formed by double-component sealing styrofoam line casting, which has good protection performance.
5. All exposed fasteners are made of stainless steel.
6. The inlet and outlet ports are usually made of pipe threads, and the cable clamping and sealing device is arranged. It can also be made into metric thread, NPT thread, etc. according to the requirements of the user's site.
7. Steel pipes and cable wiring are available.

### ■ 主要技术参数 Main technical parameters

额定电流 Rated current (A)	额定电压 Rated voltage (V)	极数 Nos. of poles	进出线口螺纹 Inlet /outlet thread	电缆外径(mm) Cable outer dia.
1, 2, 4, 6, 10, 16, 25 32, 40, 50, 63, 80, 100 125, 160, 180, 200, 225, 250	~220 ~380	2P, 3P, 3P+N, 4P	G ½~G3 M16~M63	见seeP71~P76

注：可根据要求加装辅助触头，报警触头，欠压脱扣等模块，订货时需说明。

Note: according to the requirements auxiliary contact head, the alarm contacts, undervoltage tripping, and other modules, must explain when you place an order.

防爆标志Ex-mark	防护等级 Degree of protection	防腐等级 Erosion-proof class
Ex d e IIC T4 Gb Ex tD A21 IP66 T130°C	IP65, IP66*	WF2

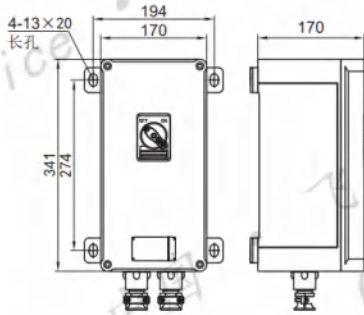
\* 要求IP66，需注明。 IP66 requirements must be marked

# BF28159-S系列防爆防腐断路器

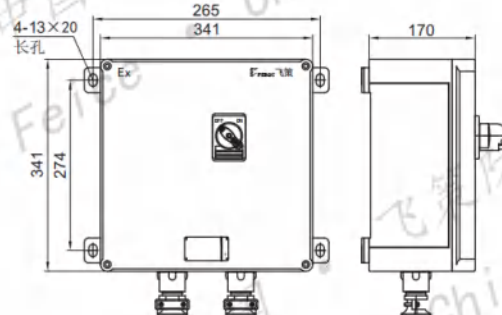
## BF28159-S Series explosion & corrosion-proof circuit breaker



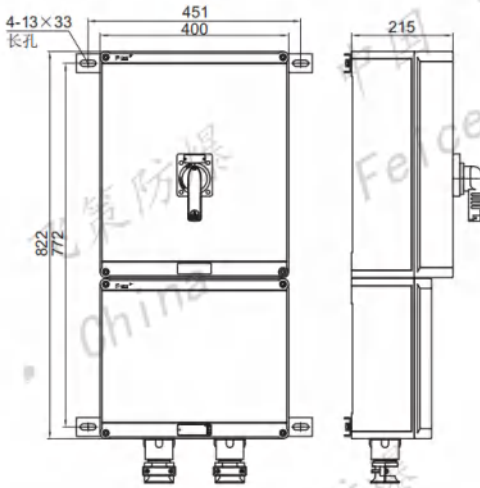
### 外形及安装尺寸 Outline & installation dimensions



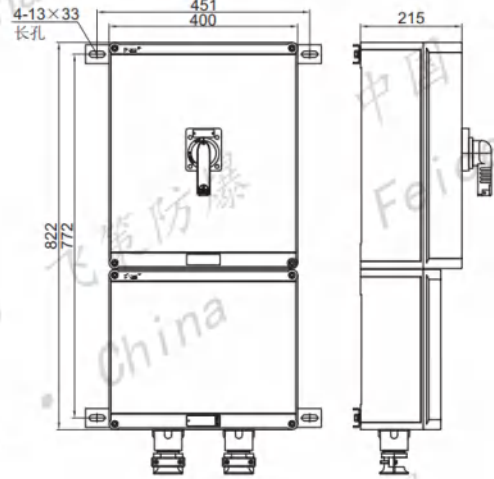
25A及以下小型断路器2P/3P/4P/2PL  
不配接线端子  
Small circuit breakers of 25A and below 2P/3P/4P/2PL  
No mating terminal



63A及以下小型断路器2P/3P/4P/2PL/3PL/4PL  
配接线端子  
Miniature circuit breakers 63A and below 2P/3P/4P/2PL/3PL/4PL  
Distribution terminal



250A及以下塑壳断路器3P/4P  
配接线端子  
250A and below molded case circuit breaker 3P/4P  
Distribution terminal



NSX250A及以下4P塑壳漏电断路器  
配接线端子  
NSX250A and below 4P molded case leakage circuit breaker  
Distribution terminal

### 订货须知 Ordering note

- 按照型号含义中的规则逐条进行选择，并在型号含义后增加防爆标志。
- 如用户有特殊需求，需在订购时详细指明。
- According to the model implication's rules to select regularly, and Ex-mark should be added behind model implication;
- If there are some special requirements, it should be pointed as ordering.

防爆防腐断路器、开关、插接装置类



# BF28158-S系列防爆防腐控制箱

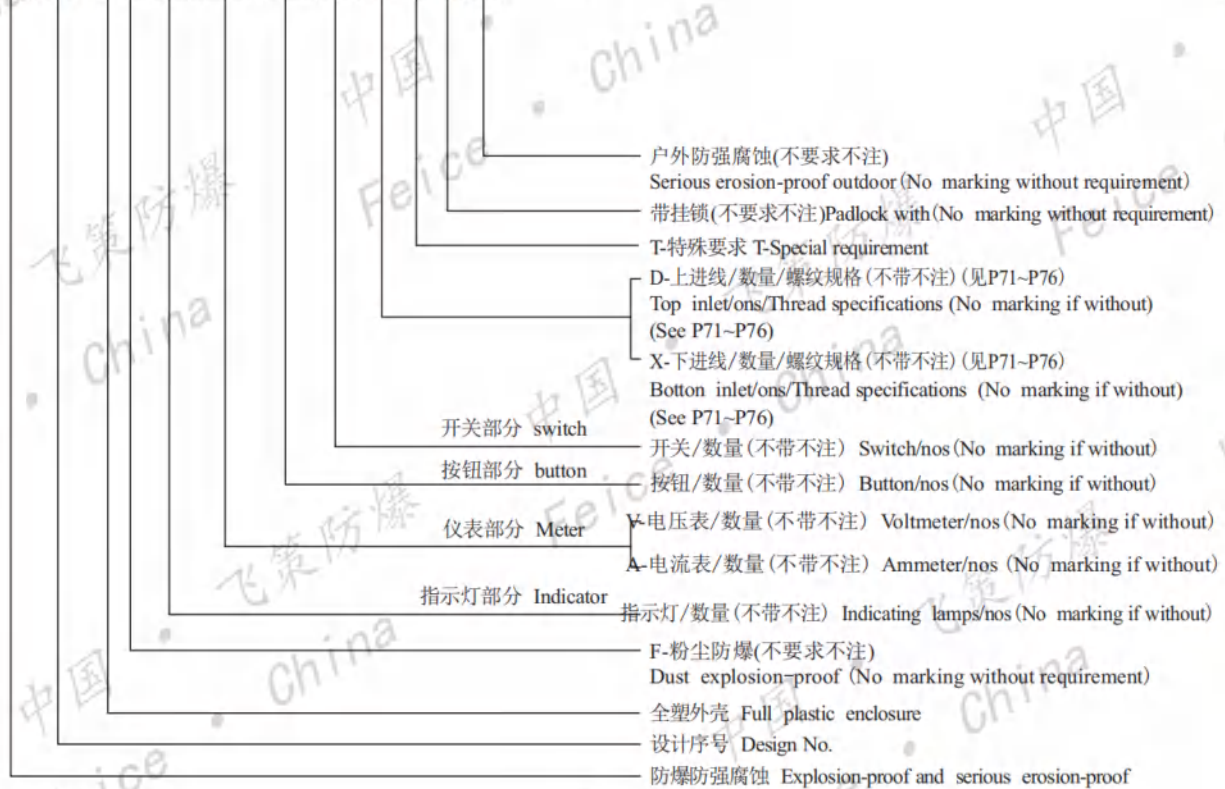
## BF28158-S Series explosion & corrosion-proof control box



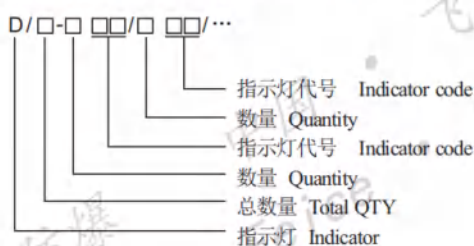
防爆防腐操作柱、控制箱、主令电器类

### 型号含义 Model implication

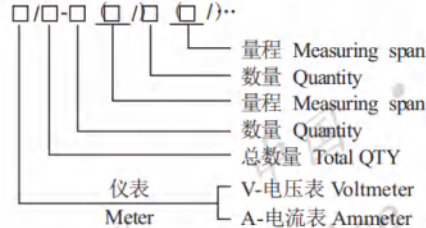
BF28158-S □ D/□ □ □ N/□ K/□ □ □ S WF2



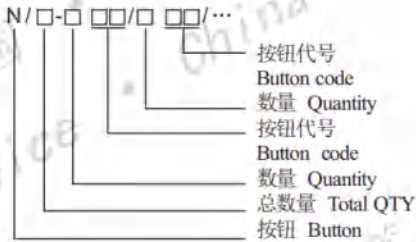
### 指示灯部分含义 Indicator implication



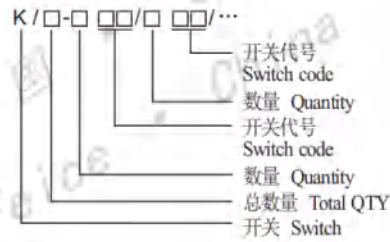
### 仪表部分含义 Meter implication



### 按钮部分含义 Button implication



### 开关部分含义 Switch implication



### ■ 适用范围 Applications

1. 广泛用于石油开采、炼油、化工、海洋石油平台、油轮等易燃易爆气体环境，也用于军工、港口、粮食储存、金属加工等可燃性粉尘场所；
2. 适用于爆炸性气体环境的1区、2区；
3. 适用于IIA、IIB、IIC类爆炸性气体环境；
4. 适用于可燃性粉尘环境的21区、22区；
5. 适用于含有腐蚀性气体、潮湿、防护要求较高的场所；
6. 适用于温度组别为T1~T6；
7. 作远距离操作电磁器或在被控电机附近就地间接多台电机进行控制，并可通过电工仪表及信号灯观察所控电路的运行情况。

1. It is widely used in flammable and explosive gas environment such as oil exploitation, refining, chemical industry, offshore oil platform, oil tanker, etc. It is also used in flammable dust places such as military industry, port, grain storage and metal processing;
2. Applicable to Zone 1 and Zone 2 of explosive gas environment;
3. Applicable to IIA, IIB, IIC explosive gas environment;
4. Applicable to areas 21 and 22 of flammable dust environment;
5. Applicable to corrosive gases, moisture, and high protection requirements place;
6. Applicable to the temperature group is T1 ~ T6;
7. Operate the electromagnetic equipment at a long distance or indirectly control multiple motors in the vicinity of the controlled motor, and observe the operation of the controlled circuit through electrical instruments and signal lights.

### ■ 执行标准 Executive standard

GB 3836.1、GB 3836.2、GB 3836.3、GB 3836.9、GB 12476.1、GB 12476.5、IEC 60079-0、IEC 60079-1、IEC 60079-7、IEC 61241-0、IEC 61241-1、EN 60079-0、EN 60079-1、EN 60079-7、EN 61241-0、EN 61241-1

### ■ 产品特点 Features

1. 外壳采用高强度、耐腐蚀、热稳定性好的玻璃纤维不饱和聚酯树脂工程塑料材质压制而成，产品表面有“Ex”防爆标志。
2. 自主研发的防爆控制箱专利技术，对箱体进行模块化优化组合，使整个控制箱结构更紧凑、使用效果更好；可根据要求对各控制元件任意组合，极大地方便了不同场所对控制设备的配置要求。
3. 增安型防爆外壳，内装我公司自行研制的防爆指示灯、防爆按钮、防爆电工仪表、防爆控制开关、防爆电位器等多种电器元件。
4. 转换开关功能可根据用户要求进行选择。
5. 可根据用户要求可选择指示灯、按钮、仪表、开关等电器元件，进行合理排列组合。户外的产品可根据用户要求配置防雨罩。
6. 安装方式为挂式或桥架式，也可根据用户要求特制。挂式和桥架式安装可做成上进线或下进线。
7. 产品设计有曲路迷宫式密封结构，通过连续线浇形成双组份聚氨酯发泡密封胶条，具有可靠的防水、防尘性能。
8. 所有外露紧固件均采用不锈钢材质。

1. The outer casing is made of high-strength, corrosion-resistant and heat-resistant glass fiber unsaturated polyester resin engineering plastic material. The surface of the product has "Ex" explosion-proof mark.
2. The patented technology of the explosion-proof control box independently researched and developed, the modular optimization combination of the box body makes the whole control box structure more compact and the use effect is better; the control elements can be arbitrarily combined according to requirements, and the different places are greatly Control device configuration requirements.
3. Increased safety explosion-proof casing, equipped with explosion-proof indicator lights, explosion-proof buttons, explosion-proof electrical instruments, explosion-proof control switches, explosion-proof potentiometers and other electrical components developed by our company.
4. The transfer switch function can be selected according to user requirements.
5. According to the user's requirements, you can select the electrical components such as indicators, buttons, meters, switches, etc., and make a reasonable arrangement. Outdoor products can be equipped with rain cover according to user requirements.
6. The installation method is hanging or bridge type, and can also be customized according to user requirements. Hanging and bridge mounting can be made into the upper or lower line.
7. The product design has a curved labyrinth seal structure, which is formed by continuous wire casting to form a two-component polyurethane foam sealant strip, which has reliable waterproof and dustproof performance.
8. All exposed fasteners are made of stainless steel.

# BF28158-S系列防爆防腐控制箱

## BF28158-S Series explosion & corrosion-proof control box



### 主要技术参数 Main technical parameters

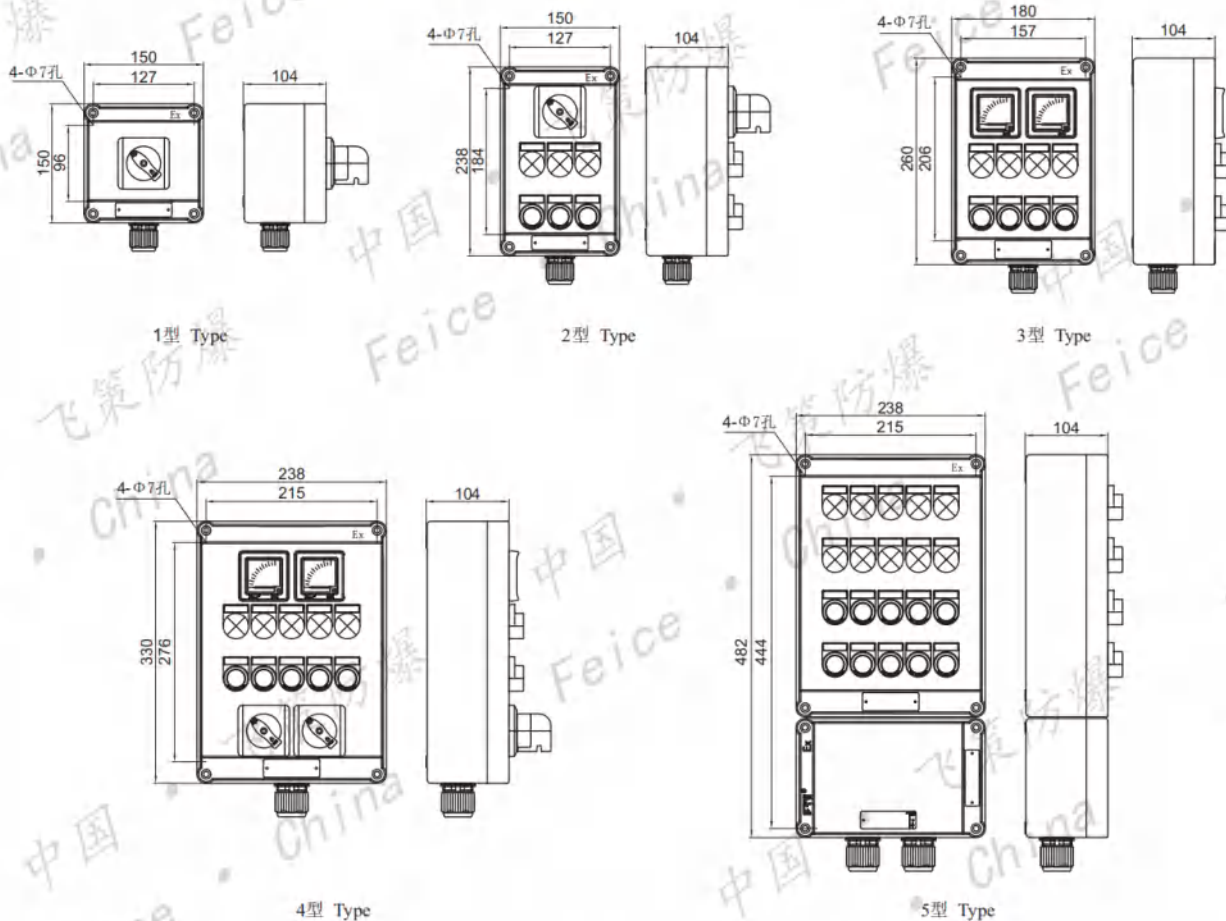
额定电压 Rated voltage (V)	额定电流 Rated current (A)	防爆等级 Ex-class	防腐等级 Erosion-proof class	防护等级 Degree of protection	进线螺纹 Inlet thread	电缆外径 Cable outer dia.
220/380	10	Ex d e ll CT6 Gb Ex d e mb IIC T6 Gb(带电压表时) Ex tD A21 IP66 T80C	WF2	IP65, IP66*	M16~M63 G $\frac{1}{2}$ ~G2	见seeP71~P76

\*. 要求IP66, 需注明。 IP66 requirements must be marked

### 内装防爆元件见《防爆元件及配件类防爆产品》P225~P255。

For the explosion-proof components inside, see "Explosion-proof components for explosion-proof components and accessories P225~P255.

### 外形及安装尺寸 Outline & Installation Dimensions



防爆防腐操作柱、控制箱、主令电器类

### 订货须知 Order note

1. 本系列产品订货时用户须提供具体的电气原理图或接线图, 我公司将根据用户要求来选择相应规格的壳体, 出具相应的技术方案, 供用户确认后生产;
2. 订货时请注明详细型号, 规格, 防爆标志及数量等;
3. 内装元件品牌若与我公司规格不一致时, 订货时须注明;
4. 本系列产品内装元件在满足防爆标准要求时也可用户提供。

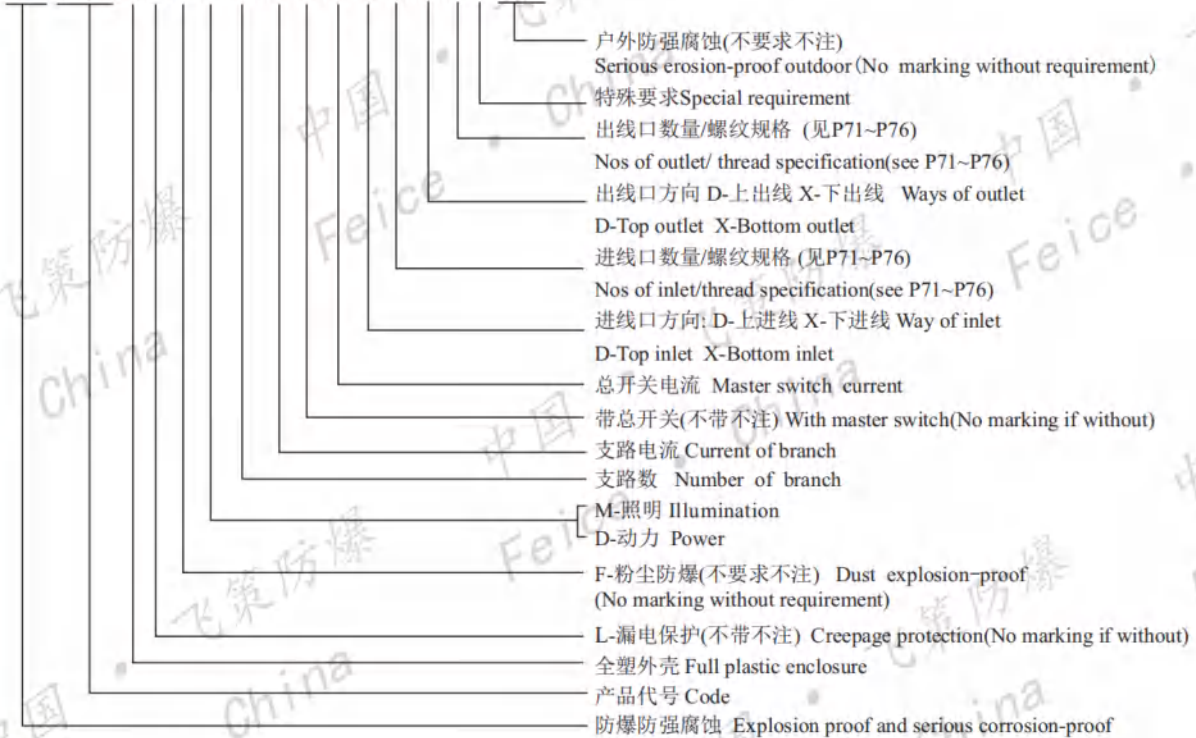
1. When ordering, user must supply the corresponding electrical diagram or wiring diagram. we should, select the right enclosure and offer you technical plan to manufacture after you confirm.
2. Please indicate the model, size, Ex-mark and QTY;
3. If the brand of built-in components is not same with ours, please indicate.
4. User can supply the built-in components if they satisfy the explosion-proof request.



防爆防腐配电箱、起动机类

### ■ 型号含义 Model implication

BF2 8159-S □ □ □ □ / □ K □ □ □ □ □ T W F 2



### ■ 适用范围 Applications

1. 广泛用于石油开采、炼油、化工、海洋石油平台、油轮等易燃易爆气体环境，也用于军工、港口、粮食储存、金属加工等可燃性粉尘场所；
2. 适用于爆炸性气体环境的1区、2区；
3. 适用于IIA、IIB、IIC类爆炸性气体环境；
4. 适用于可燃性粉尘环境的21区、22区；
5. 适用于含有腐蚀性气体、潮湿、防护要求较高的场所；
6. 适用于温度组别为T1~T4；
7. 用于照明或动力线路的配电，电气设备通断控制或检维修配电。

1. It is widely used in flammable and explosive gas environment such as oil exploitation, refining, chemical industry, offshore oil platform, oil tanker, etc. It is also used in flammable dust places such as military industry, port, grain storage and metal processing;
2. Applicable to Zone 1 and Zone 2 of explosive gas environment;
3. Applicable to IIA, IIB, IIC explosive gas environment;
4. Applicable to areas 21 and 22 of flammable dust environment;
5. Applicable to corrosive gases, moisture, and high protection requirements place;
6. Applicable to the temperature group is T1 ~ T4;
7. Power distribution for lighting or power lines, electrical equipment on/off control or Check maintenance and distribution.

### ■ 执行标准 Executive standard

GB 3836.1、GB 3836.2、GB 3836.3、GB 12476.1、GB 12476.5、IEC 60079-0、IEC 60079-1、IEC 60079-7、IEC 61241-0、IEC 61241-1、EN 60079-0、EN 60079-1、EN 60079-7、EN 61241-0、EN 61241-1

### ■ 产品特点 Features

1. 外壳采用玻璃纤维增强不饱和聚酯树脂压制而成，外形美观，具有防静电、抗光老化、耐腐蚀，耐冲击及热稳定性好等特点。
2. 自主研发的组合式防爆配电箱专利技术，对配电箱进行模块化优化设计和组合，使整个配电箱结构更紧凑；可根据要求对各回路任意组合，极大地方便了不同场所对配电设备的配置要求。
3. 行业首创并最新研发的大规格隔爆型单体断路器模块(250A、100A、63A Ex元件)能够满足增安外壳配电箱多种规格的配套使用。
4. 全塑增安型外壳防爆结构，内装防爆断路器(漏电)、防爆电涌保护器、防爆指示灯以及其他防爆元件模块。箱体之间采用拼装式结构，可以自由选择。
5. 盖板上设有专用操作机构，可实现全封闭操作，可根据要求加装挂锁，避免误操作。
6. 总开关、分开关操作面板区分明显，便于现场识别。
7. 所有外露紧固件均采用不锈钢材质。
8. 电缆进出线方向，可根据用户要求做成上进上出、下进下出、上进下出、下进上出等多种形式。
9. 进出线口通常采用管螺纹，配置电缆夹密封装置；也可根据用户现场要求，制成公制螺纹、NPT螺纹等形式。
10. 钢管、电缆布线均可。
11. 户外使用的产品可根据用户要求配置防雨罩。

1. The outer casing is made of glass fiber reinforced unsaturated polyester resin, which has beautiful appearance, antistatic, anti-photoaging, corrosion resistance, impact resistance and thermal stability.
2. The patented technology of the combined explosion-proof distribution box independently developed by the company, the modular optimization design and combination of the distribution box, make the whole distribution box structure more compact; can be arbitrarily combined with each circuit according to requirements, greatly different places Configuration requirements for power distribution equipment.
3. The industry's first and most recently developed large-scale flameproof single-circuit breaker module (250A, 100A, 63A Ex components) can meet the various specifications of the increased safety enclosure distribution box.
4. All-plastic increased safety type explosion-proof structure, built-in explosion-proof circuit breaker (leakage), explosion-proof surge protector, explosion-proof indicator light and other explosion-proof component modules. The assembled structure between the cabinets can be freely selected.
5. There is a special operating mechanism on the cover plate to achieve full-close operation. Padlocks can be added according to requirements to avoid misuse.
6. The main switch and sub-switch operation panels are clearly distinguishable for easy on-site identification.
7. All exposed fasteners are made of stainless steel.
8. Cable in and out of the line, according to user requirements can be made up and down, down and down, up and down, down and up and other forms.
9. The inlet and outlet ports are usually made of pipe threads, and the cable clamping and sealing device is arranged. It can also be made into metric thread, NPT thread, etc. according to the requirements of the user's site.
10. Steel pipes and cable wiring are available.
11. For outdoor use, the rain cover can be configured according to user requirements.

### ■ 主要技术参数 Main technical parameters

断路器整定电流 Setting current of circuit breaker (A)	额定电压 Rated voltage (V)	支路数 Nos. of branches	极数 Nos. of poles	电缆外径 Cable outer dia. (mm)
1, 2, 4, 6, 10, 16, 20 25, 32, 40, 50, 63, 80, 100, 125, 160, 200 225, 250	~220 ~380	2, 3, 6, 9, 12, 15...	2P, 2PL, 3P, 3PL, 3P+N, 4P, 4PL	见See P71~P76

防爆防腐配电箱、起动器类

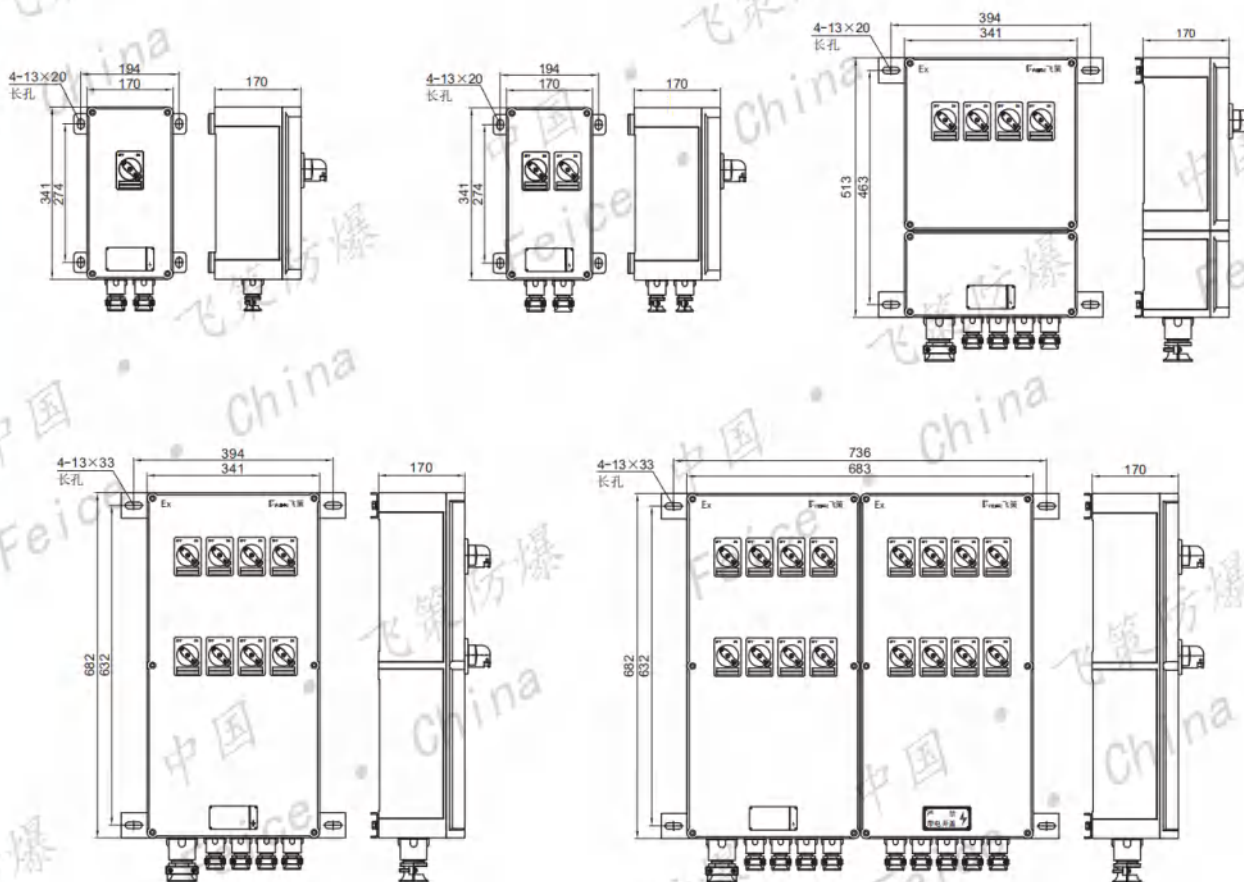
防爆标志 Ex-mark	防护等级 Degree of protection	进出线口螺纹 Inlet/outlet thread
Ex d eII C T4 Gb(63-250A) Ex d eII C T5 Gb(40-50A) Ex d eII C T6 Gb(≤32A) Ex tD A21 IP66 T130°C	IP65, IP66*	G½~G2 M16~M63

\*. 要求IP66, 需注明。 IP66 requirements must be marked

### ■ 内装元件主要技术参数 Technical parameters of built-in components

防爆元件名称 Description	防爆防腐断路器(漏电) Explosion erosion-proof circuit breaker	防爆防腐电动机保护开关 Explosion erosion-proof motor protection switch	防爆防腐电涌保护器 Explosion erosion-proof electric surge protector	防爆防腐隔离开关 Explosion erosion isolating switch
防爆元件型号 Description	8058/3(L)	8061	8064	8065
额定工作电压 Rated operation voltage	220-250V 380-400V	220-250V 380-400V	220-250V 380-400V	220-250V 380-400V
额定电流(A) Rated current	1,2,4,6,10,16,20, 25,32,40,50,63,80,100, 125,160,180,200,225,250	0.1-0.16, 0.16-0.25, 0.25-0.4, 0.4-0.63, 0.63-1,1-1.6, 1.6-2.5, 2.5-4, 4-6.3, 6.3-10, 10-16, 16-20, 20-25	最大放电电流 Max discharging current 20, 40, 65kA	25,40,80,125(180)
其他参数 Other parameters	见see P210-P213	见see P219	见see P223-P224	见see P246

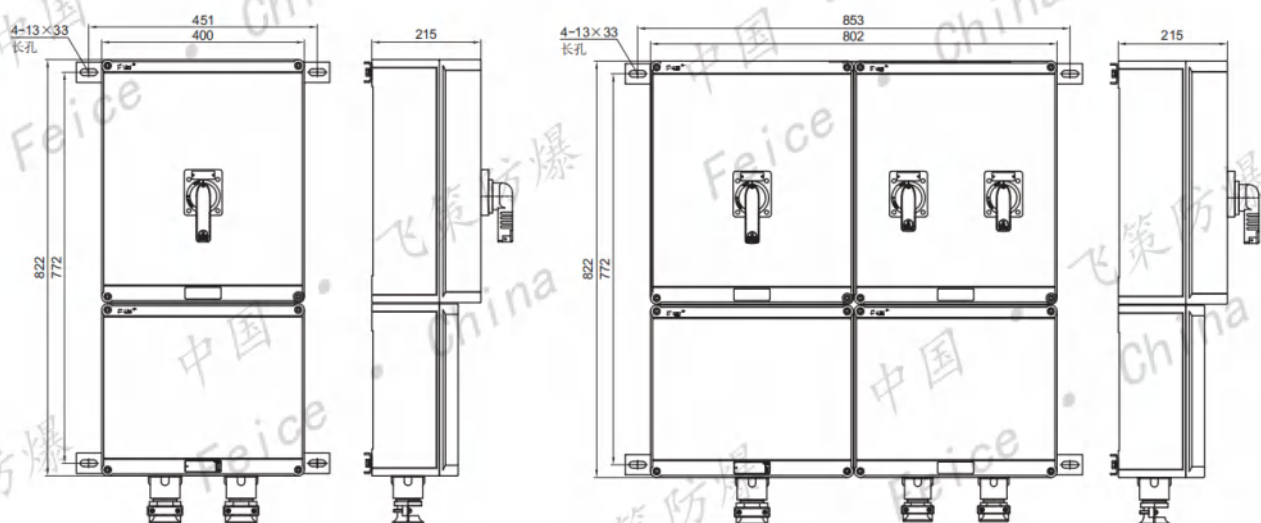
### ■ 方案举例 Example



防爆防腐配电箱、起动机类

# BF28159-S系列防爆防腐照明(动力)配电箱

BF28159-S Series explosion & corrosion-proof illumination (power) distribution box



## ■ 订货须知 Ordering note

1. 按照型号含义中的规则逐条进行选择，并在型号含义后增加防爆标志。
2. 如用户有特殊需求，需在订购时详细指明。

1. According to the model implication's rules to select regularly, and Ex-mark should be added behind model implication;
2. If there are some special requirements, it should be pointed as ordering.

防爆防腐配电箱、  
起动器类

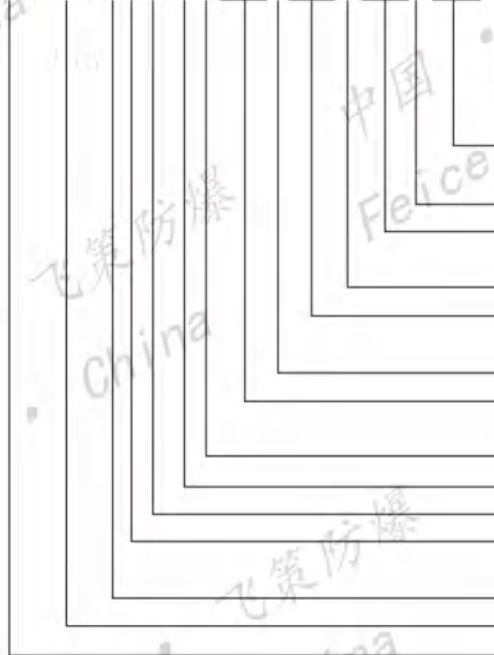
# BF28158-S系列防爆防腐接线箱

## BF28158-S Series explosion&corrosion-proof junction board

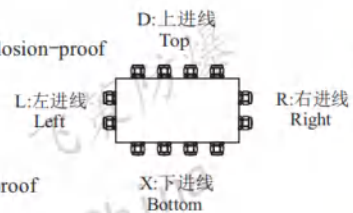


### 型号含义 Model implication

BF2 8158-S □ □ / □ □ D □ / □ □ L □ / □ □ X □ / □ □ R □ / □ □



- WF2-户外防强腐蚀(不要求不注)  
Serious erosion-proof outdoor (No marking without requirement)
- 进线口数/螺纹规格(见P71~P76)  
Nos. of inlet/ thread specification (see P71~P76)
- 右方进线 Right inlet
- 进线口数/螺纹规格(见P71~P76)  
Nos. of inlet/ thread specification (see P71~P76)
- 下方进线 Bottom inlet
- 进线口数/螺纹规格(见P71~P76)  
Nos. of inlet/ thread specification (see P71~P76)
- 左方进线 Left inlet
- 进线口数/螺纹规格(见P71~P76)  
Nos. of inlet/ thread specification (see P71~P76)
- 上方进线 Top inlet
- 额定电流 Rated current
- 端子数 Nos. of terminals
- F-粉尘防爆(不要求不注) Dust explosion-proof  
(No marking without requirement)
- 全塑外壳 Full plastic enclosure
- 产品代号 Code
- 防爆防强腐蚀  
Explosion-proof and serious erosion-proof



### 适用范围 Applications

1. 广泛用于石油开采、炼油、化工、海洋石油平台、油轮等易燃易爆气体环境，也用于军工、港口、粮食储存、金属加工等可燃性粉尘场所；
2. 适用于爆炸性气体环境的1区、2区；
3. 适用于IIA、IIB、IIC类爆炸性气体环境；
4. 适用于可燃性粉尘环境的21区、22区；
5. 适用于含有腐蚀性气体、潮湿、防护要求较高的场所；
6. 适用于温度组别为T1~T6；
7. 作为连接照明、电力、控制线路及电话线路等之用。

1. It is widely used in flammable and explosive gas environment such as oil exploitation, refining, chemical industry, offshore oil platform, oil tanker, etc. It is also used in flammable dust places such as military industry, port, grain storage and metal processing;
2. Applicable to Zone 1 and Zone 2 of explosive gas environment;
3. Applicable to IIA, IIB, IIC explosive gas environment;
4. Applicable to areas 21 and 22 of flammable dust environment;
5. Applicable to corrosive gases, moisture, and high protection requirements place;
6. Applicable to the temperature group is T1 ~ T6;
7. It is used to connect lighting, electric power, control lines, telephone lines, etc.

防爆防腐接线箱、接线盒类



### ■ 执行标准 Executive standard

GB 3836.1、GB 3836.3、GB 12476.1、GB 12476.5、IEC 60079-0、IEC 60079-1、IEC 60079-7、IEC 61241-0、IEC 61241-1、EN 60079-0、EN 60079-1、EN 60079-7、EN 61241-0、EN 61241-1

### ■ 产品特点 Features

1. 外壳为玻璃纤维不饱和聚酯树脂工程塑料，防强腐蚀，抗冲击性能强，产品上印有的永久性“Ex”防爆标志。
2. 内装增安型接线端子。端子数量可根据用户要求配置。
3. 所有外露紧固件均采用不锈钢材质。
4. 所有配置接线箱的电缆格兰(防爆电缆引入装置)、堵头、变径及对应的锁紧螺母的材质为黄铜镀镍、不锈钢、碳钢或工程塑料。
5. 格兰及防爆堵头数量可根据用户要求的进出线电缆数量配置，并视具体情况在空间许可的前提下留出一定的备用格兰孔，该孔可使用防爆金属堵头进行封堵。
6. 电缆进线方向，可根据用户要求做成上进、下进、左进、右进等多种形式。
7. 进线口可根据用户现场要求，制成公制螺纹、NPT螺纹或管螺纹等形式。
8. 钢管、电缆布线均可。
9. 接线箱安装方式为挂式。

1. The outer casing is made of glass fiber unsaturated polyester resin engineering plastic, which is resistant to strong corrosion and strong impact resistance. The permanent "Ex" explosion-proof mark printed on the product.
2. Built-in increased safety terminal block. The number of terminals can be configured according to user requirements.
3. All exposed fasteners are made of stainless steel.
4. All cable glands (explosion-proof cable entry devices), plugs, reducers and corresponding lock nuts are made of brass nickel-plated, stainless steel, carbon steel or engineering plastic.
5. The number of Granville and explosion-proof plugs can be configured according to the number of incoming and outgoing cables required by the user, and a certain spare Grand Hole can be reserved under the premise of space permit according to the specific conditions. The hole can be sealed with an explosion-proof metal plug.
6. The cable incoming direction can be made into various forms such as up, down, left, and right according to user requirements.
7. The inlet can be made into metric thread, NPT thread or pipe thread according to the requirements of the user's site.
8. Steel pipes and cable wiring are available.
9. The junction box is installed in a hanging mode.

### ■ 主要技术参数 Main technical parameters

额定电流 (A) Rated current	额定电压 (V) Rated voltage	防护等级 Degree of protection	防爆标志 Ex-mark	防腐等级 Erosion-proof class
5~250	220/380	IP65,IP66*	Ex eII C T6 Gb ) Ex tD A21 IP66 T80°C)	WF2

\*. 要求IP66，需注明。 IP66 requirements must be marked

### ■ 外形及安装尺寸 Outline & installation dimensions

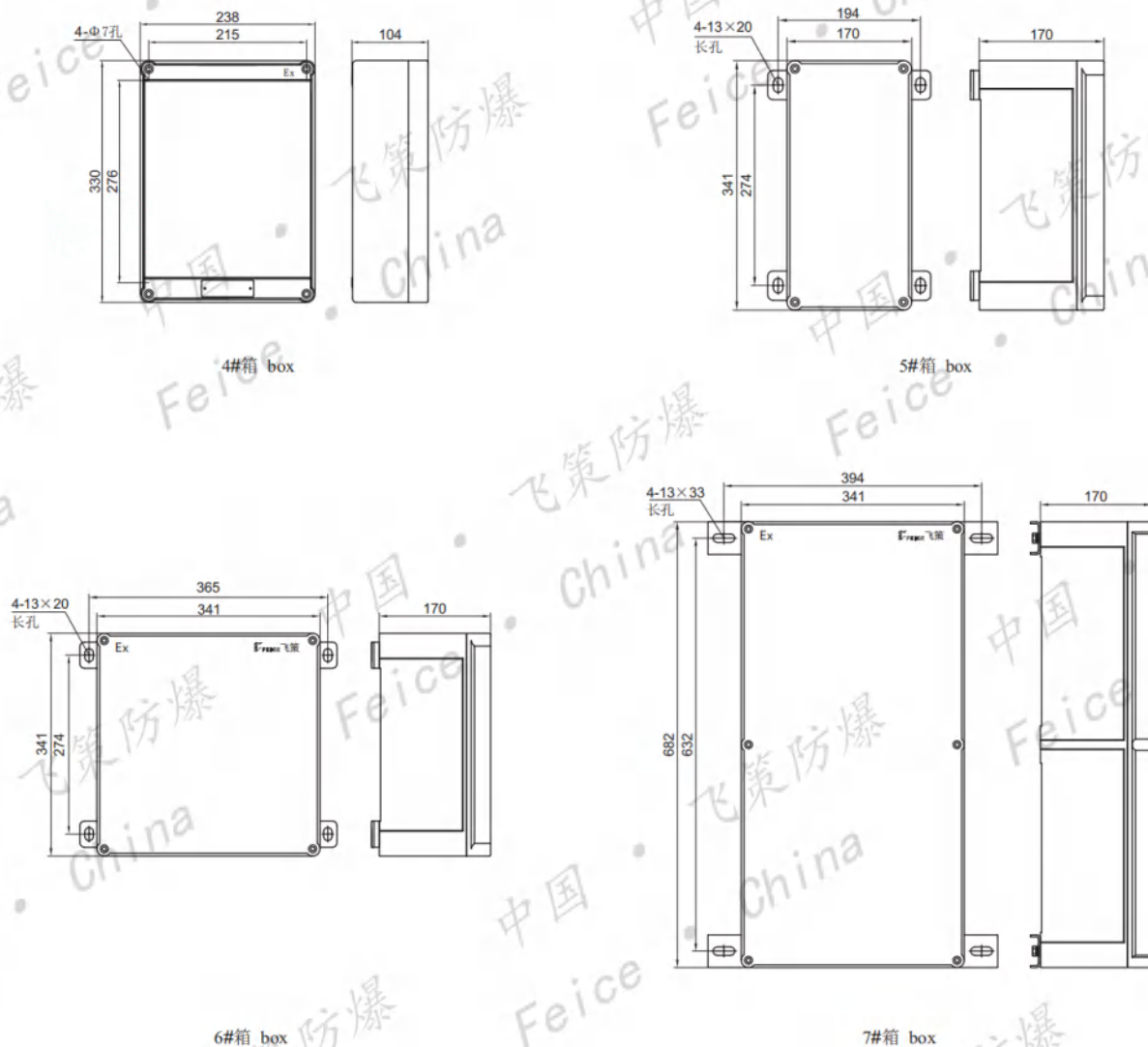


# BF28158-S系列防爆防腐接线箱

## BF28158-S Series explosion&corrosion-proof junction board



### 外形及安装尺寸 Outline & installation dimensions



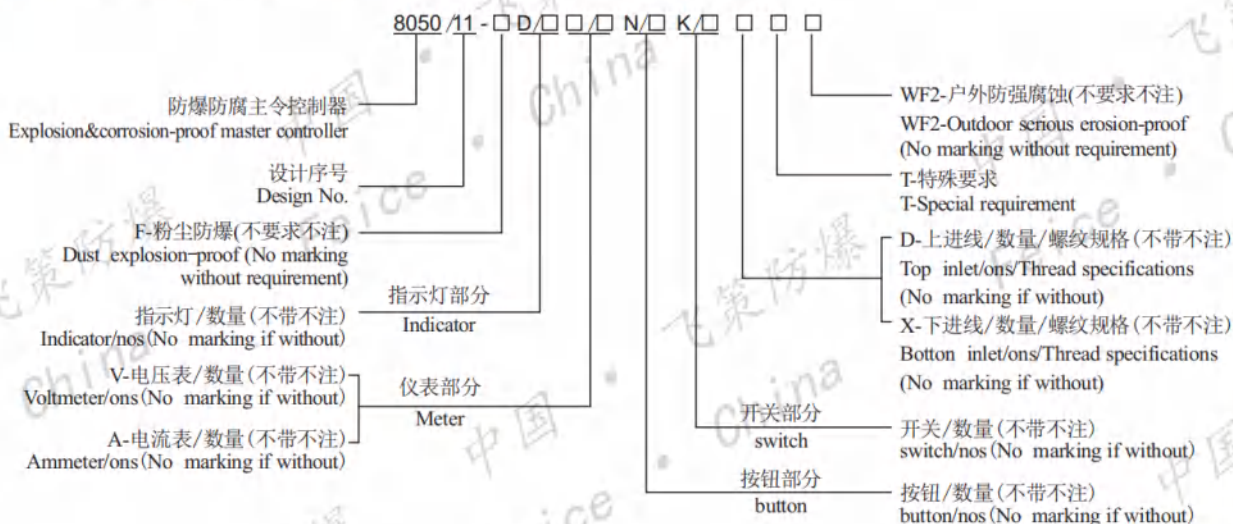
防爆防腐接线箱、接线盒类

### 订货须知 Ordering note

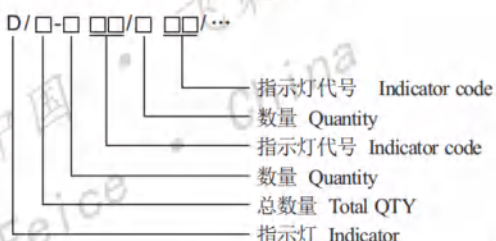
- 按照型号含义中的规则逐条进行选择，并在型号含义后增加防爆标志。  
1. According to the model implication's rules to select regularly, and Ex-mark should be added behind model implication;
- 如用户有特殊需求，需在订购时详细指明。  
2. If there are some special requirements, it should be pointed as ordering.



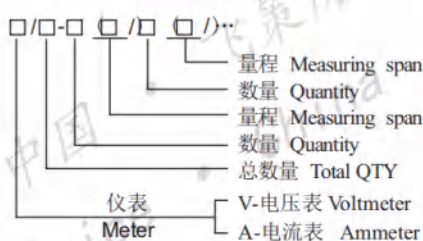
### ■ 型号含义 Model implication



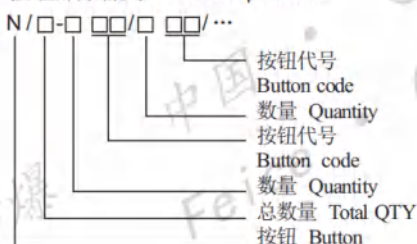
### 指示灯部分含义 Indicator implication



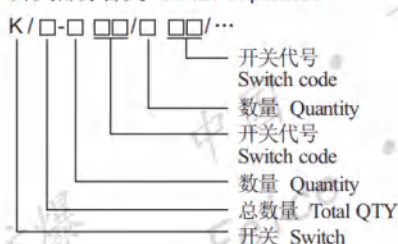
### 仪表部分含义 Meter implication



### 按钮部分含义 Button implication



### 开关部分含义 Switch implication



### ■ 适用范围 Applications

1. 广泛用于石油开采、炼油、化工、海洋石油平台、油轮等易燃易爆气体环境，也用于军工、港口、粮食储存、金属加工等可燃性粉尘场所；
2. 适用于爆炸性气体环境的1区、2区；
3. 适用于IIA、IIB、IIC类爆炸性气体环境；
4. 适用于可燃性粉尘环境的21区、22区；
5. 适用于含有腐蚀性气体、潮湿、防护要求较高的场所；
6. 适用于温度组别为T1~T6；
7. 作为指令发送及状态监视之用。

1. It is widely used in flammable and explosive gas environment such as oil exploitation, refining, chemical industry, offshore oil platform, oil tanker, etc. It is also used in flammable dust places such as military industry, port, grain storage and metal processing;
2. Applicable to Zone 1 and Zone 2 of explosive gas environment;
3. Applicable to IIA, IIB, IIC explosive gas environment;
4. Applicable to areas 21 and 22 of flammable dust environment;
5. Applicable to corrosive gases, moisture, and high protection requirements place;
6. Applicable to the temperature group is T1 ~ T6;
7. Used as command transmission and status monitoring.

### ■ 执行标准 Executive standard

GB 3836.1、GB 3836.2、GB 3836.3、GB 3836.9、GB 12476.1、GB 12476.5、IEC 60079-0、IEC 60079-1、IEC 60079-7、IEC 61241-0、IEC 61241-1、EN 60079-0、EN 60079-1、EN 60079-7、EN 61241-0、EN 61241-1

### ■ 产品特点 Features

1. 外壳采用高强度、耐腐蚀、热稳定性好的玻璃纤维不饱和聚酯树脂(SMC)压制而成，产品表面有“Ex”防爆标志。
  2. 增安型外壳防爆结构，内装防爆元件。采用“积木”式模块拼接结构，体积小，整齐、美观，占用安装现场空间较少；重量轻，安装、维护方便。
  3. 内部可根据用户要求，配装我公司特制防爆电器元件如：指示灯、按钮、仪表、开关等。
  4. 内装防爆控制按钮结构紧凑，并且按钮头有蘑菇型、橡皮头型、锁头型等5种规格可供选择。
  5. 防爆信号灯采用浇封处理，由发光部件同电源部件组成，结构合理，防爆性能好。
  6. 防爆电流表能显示量程五倍的过载电流值，还装有红色可调指针，用作示意正常负荷的电流值，操作者可随时监视运转情况。
  7. 专利设计的防护结构，防护能力强，产品所有外露紧固件均采用不锈钢材质。
1. The outer casing is made of glass fiber unsaturated polyester resin (SMC) with high strength, corrosion resistance and thermal stability. The surface of the product has "Ex" explosion-proof mark.
  2. The explosion-proof structure of the increased safety enclosure is equipped with explosion-proof components. It adopts the "building block" type module splicing structure, which is small in size, neat and beautiful, and takes up less space on the installation site; light weight, convenient installation and maintenance.
  3. The interior can be equipped with special explosion-proof electrical components such as indicators, buttons, meters, switches, etc. according to user requirements.
  4. The built-in explosion-proof control button is compact, and the button head has five specifications, such as mushroom type, rubber head type and lock type.
  5. The explosion-proof signal lamp is sealed by the light-emitting component and the power supply component. The structure is reasonable and the explosion-proof performance is good.
  6. The explosion-proof ammeter can display the overload current value of five times the range. It is also equipped with a red adjustable pointer, which is used to indicate the current value of the normal load. The operator can monitor the operation at any time.
  7. The patented protective structure has strong protection ability, and all exposed fasteners of the product are made of stainless steel.

### ■ 主要技术参数 Main technical parameters

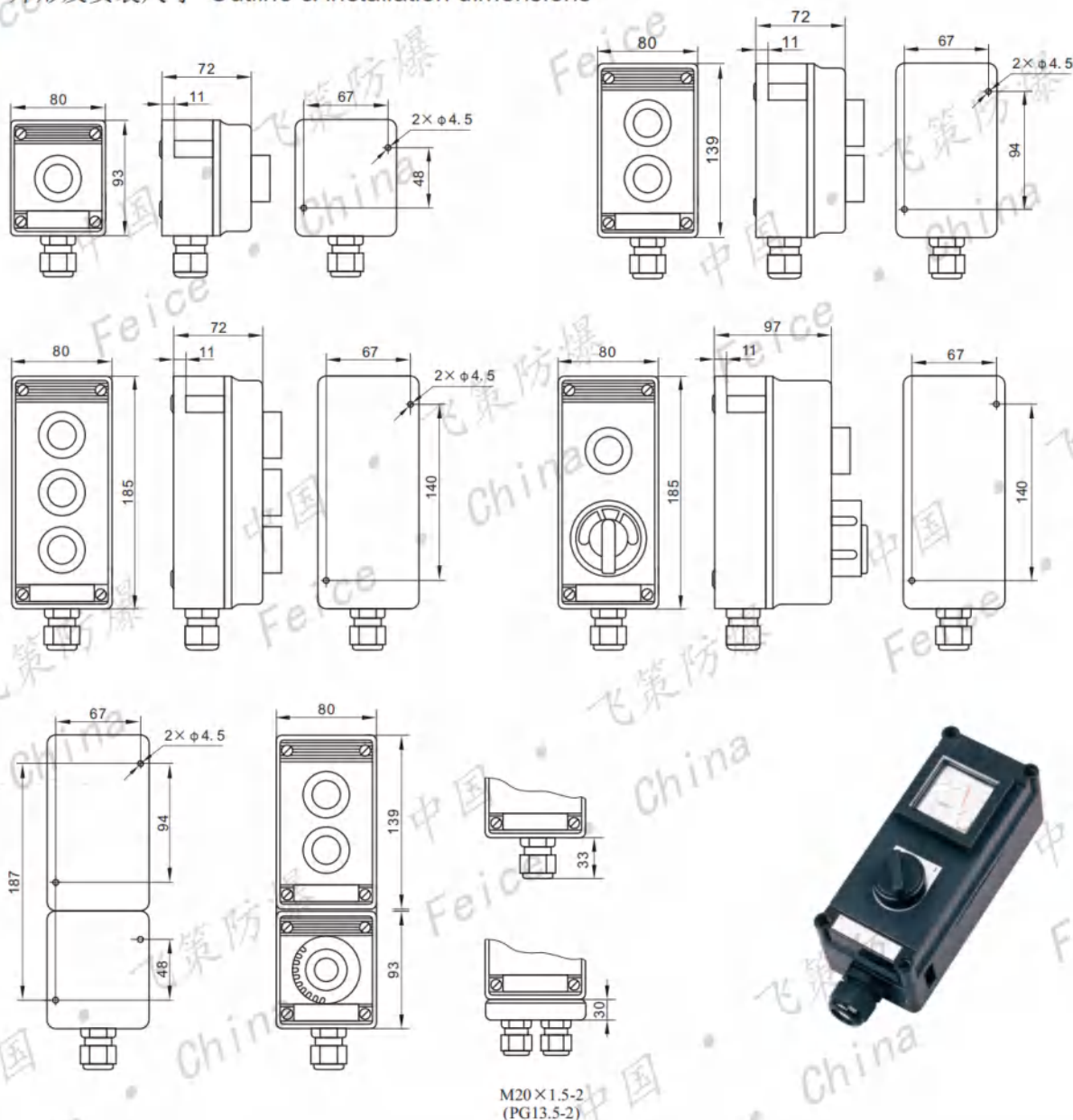
额定电压(V) Rated voltage	额定电流(A) Rated current	进线口螺纹/电缆外径(mm) Inlet thread/cable outer dia.
220 380	10	M28×1.5/(Φ6~Φ12)×1只 G20/(Φ8~Φ14)×1只 M20×1.5/(Φ6~Φ11)×2只
防爆标志 Ex-mark	防护等级 Degree of protection	防腐等级 Erosion-proof class
Ex de IIC T6 Gb Ex de mb IIC T6 Ex tD A21 IP66 T80°C	IP65, IP66*	WF2

\*. 要求IP66，需注明。 IP66 requirements must be marked

■ 内装防爆元件见《防爆元件及配件类防爆产品》P225~P255。

For the explosion-proof components inside, see "Explosion-proof components for explosion-proof components and accessories P225~P255.

■ 外形及安装尺寸 Outline & installation dimensions



防爆防腐操作柱、控制箱、主令电器类

■ 订货须知 Order note

1. 本系列产品订货时用户须提供具体的电气原理图或接线图，我公司将根据用户要求来选择相应规格的壳体，出具相应的技术方案，供用户确认后生产；
2. 订货时请注明详细型号，规格，防爆标志及数量等；
3. 内装元件品牌若与我公司规格不一致时，订货时须注明；
4. 本系列产品内装元件在满足防爆标准要求时也可用户提供。

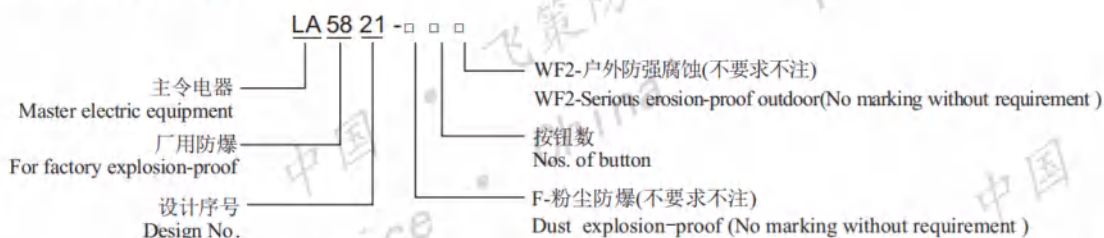
1. When ordering, user must supply the corresponding electrical diagram or wiring diagram. we should, select the right enclosure and offer you technical plan to manufacture after you confirm.
2. Please indicate the model, size, Ex-mark and QTY;
3. If the brand of built-in components is not same with ours, please indicate.
4. User can supply the built-in components if they satisfy the explosion-proof request.

# LA5821-系列防爆防腐控制按钮

## LA5821-Series explosion-corrosion-proof control button



### ■ 型号含义 Model implication



### ■ 适用范围 Applications

1. 广泛用于石油开采、炼油、化工、海洋石油平台、油轮等易燃易爆气体环境，也用于军工、港口、粮食储存、金属加工等可燃性粉尘场所；
2. 适用于爆炸性气体环境的1区、2区；
3. 适用于IIA、IIB、IIC类爆炸性气体环境；
4. 适用于可燃性粉尘环境的21区、22区；
5. 适用于含有腐蚀性气体、潮湿、防护要求较高的场所；
6. 适用于温度组别为T1~T6；
7. 用于短时接通或断开小电流电路，在控制电路中发出指令，控制接触器、继电器等电气单元。

1. It is widely used in flammable and explosive gas environment such as oil exploitation, refining, chemical industry, offshore oil platform, oil tanker, etc. It is also used in flammable dust places such as military industry, port, grain storage and metal processing;
2. Applicable to Zone 1 and Zone 2 of explosive gas environment;
3. Applicable to IIA, IIB, IIC explosive gas environment;
4. Applicable to areas 21 and 22 of flammable dust environment;
5. Applicable to corrosive gases, moisture, and high protection requirements places;
6. Applicable to the temperature group is T1 ~ T6;
7. Used to short-circuit or disconnect the small current circuit in the control circuit Issue commands to control electrical units such as contactors and relays.

### ■ 执行标准 Executive standard

GB 3836.1、GB 3836.2、GB 3836.3、GB 12476.1、GB 12476.5、IEC 60079-0、IEC 60079-1、IEC 60079-7、IEC 61241-0、IEC 61241-1、EN 60079-0、EN 60079-1、EN 60079-7、EN 61241-0、EN 61241-1

### ■ 产品特点 Features

1. 外壳采用高强度、耐腐蚀、热稳定性好的ABS工程塑料注塑而成。
2. 采用增安型外壳防爆结构，内装隔爆型按钮，体积小，外形美观，重量轻，安装、维护方便。
3. 内装隔爆型按钮，具有耐弧、通断能力高，安全系数高，寿命长等特点。
4. 产品采用曲路设计防护结构，具有良好防水、防尘、防水性能。
5. 产品有所有外露紧固件均采用不锈钢材质。
6. 钢管或电缆布线均可。

防爆防腐操作柱、控制箱、主令电器类

1. The outer casing is made of high-strength, corrosion-resistant and heat-stable ABS engineering plastic.
2. It adopts the explosion-proof structure of the increased safety type casing, and the built-in explosion-proof button has small volume, beautiful appearance, light weight, and convenient installation and maintenance.
3. Built-in explosion-proof button with high arc resistance, high breaking capacity, high safety factor and long life.
4. The product adopts curved road design protection structure, which has good waterproof, dustproof and waterproof performance.
5. All exposed fasteners are made of stainless steel.
6. Steel pipe or cable wiring can be used.

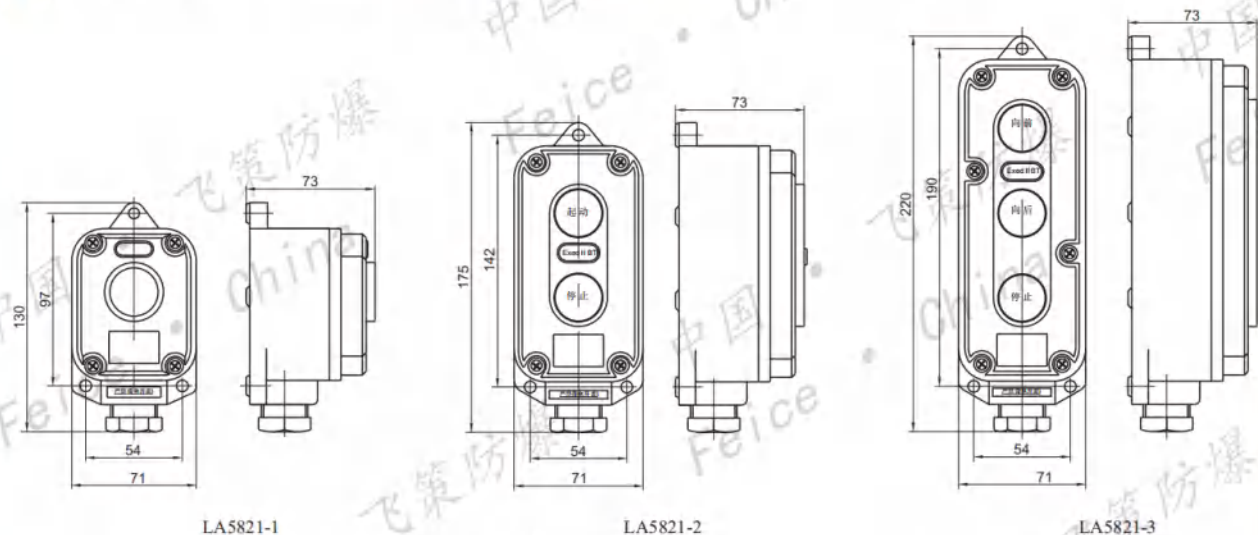
### 主要技术参数 Main technical parameters

额定电流 Rated current (A)	按钮数 Nos. of button	电压 Voltage (V)		电流 Current (A)	触头对数 Nos. of contact	重量 Weight (kg)
		直流 DC	交流 AC			
LA5821-1	1	220	380	5	一组：一常开一常闭 one group: one open, one close	0.3
LA5821-2	2				二组：一常开一常闭 two groups: one open, one close	0.45
LA5821-3	3				三组：一常开一常闭 three groups: one open, one close	0.6

防爆标志 E-mark	防护等级 Degree of protection	防腐等级 Erosion-proof class	电缆外径(mm) Cable outer dia.	进线口螺纹 Inlet thread (G)
Ex d e IIB T6 Gb Ex d e IIC T6 Gb Ex tD A21 IP66 T80°C	IP65、IP66*	WF2	Φ10~Φ14	G $\frac{3}{4}$

\*. 要求IP66, 需注明。 IP66 requirements must be marked

### 外形及安装尺寸 Outline & installation dimensions



### 订货须知 Ordering note

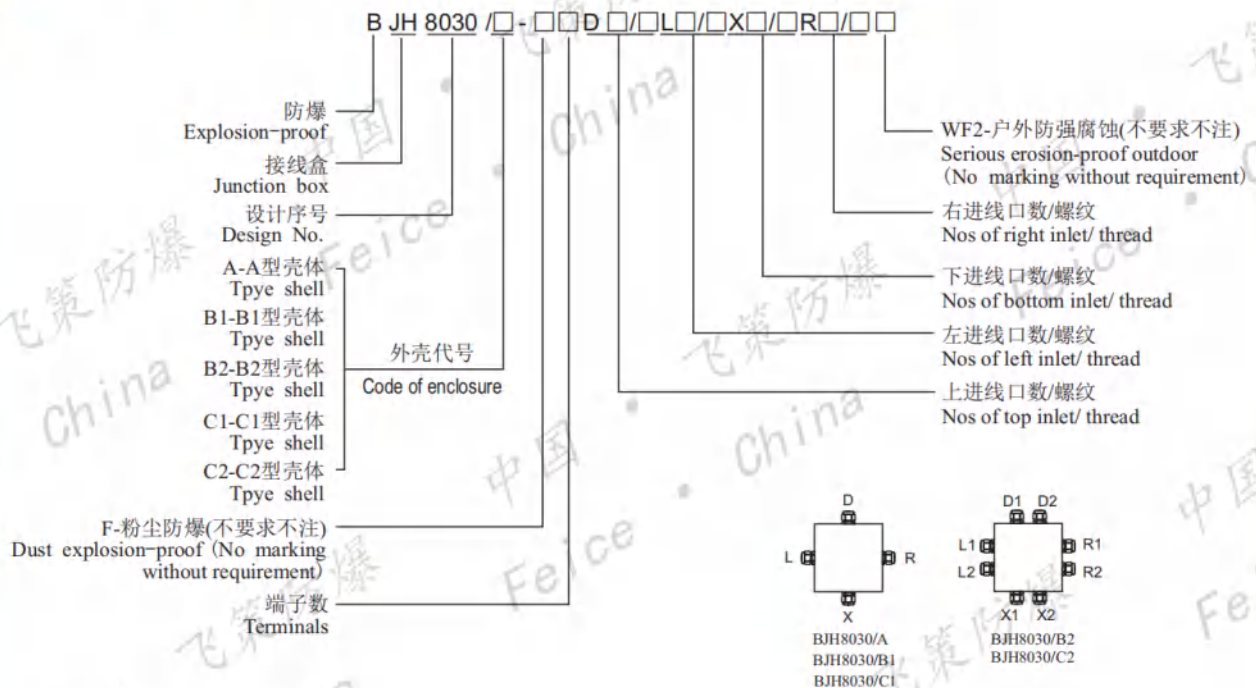
1. 按照型号含义中的规则逐条进行选择, 并在型号含义后增加防爆标志。 1. According to the model implication's rules to select regularly, and Ex-mark should be added behind model implication;
2. 如用户有特殊需求, 需在订购时详细指明。 2. If there are some special requirements, it should be pointed as ordering.

防爆防腐操作柱、控制箱、主令电器类



防爆防腐接线箱、接线盒类

### ■ 型号含义 Model implication



### ■ 适用范围 Applications

1. 广泛用于石油开采、炼油、化工、海洋石油平台、油轮等易燃易爆气体环境，也用于军工、港口、粮食储存、金属加工等可燃性粉尘场所；
2. 适用于爆炸性气体环境的1区、2区；
3. 适用于II A、II B、II C类爆炸性气体环境；
4. 适用于可燃性粉尘环境的21区、22区；
5. 适用于含有腐蚀性气体、潮湿、防护要求较高的场所；
6. 适用于温度组别为T1~T6；
7. 作为连接照明、电力、控制线路及电话线路等之用。

1. It is widely used in flammable and explosive gas environment such as oil exploitation, refining, chemical industry, offshore oil platform, oil tanker, etc. It is also used in flammable dust places such as military industry, port, grain storage and metal processing;
2. Applicable to Zone 1 and Zone 2 of explosive gas environment;
3. Applicable to IIA, IIB, IIC explosive gas environment;
4. Applicable to areas 21 and 22 of flammable dust environment;
5. Applicable to corrosive gases, moisture, and high protection requirements place;
6. Applicable to the temperature group is T1 ~ T6;
7. It is used to connect lighting, electric power, control lines, telephone lines, etc.



# BJH8030/□ -系列防爆防腐接线盒

## BJH8030/□-Series explosion&corrosion-proof junction box



### ■ 执行标准 Executive standard

GB 3836.1、GB 3836.3、GB 12476.1、GB 12476.5、IEC 60079-0、IEC 60079-1、IEC 60079-7、IEC 61241-0、IEC 61241-1、EN 60079-0、EN 60079-1、EN 60079-7、EN 61241-0、EN 61241-1

### ■ 产品特点 Features

1. 外壳为玻璃纤维不饱和聚酯树脂压制成型,防强腐蚀,抗冲击性能强,产品上印有的永久性“Ex”防爆标志;
2. 产品外壳结构有两种型式,A型为四通式,B型为开孔式,电缆引入装置数量及规格可根据用户要求进行配置;
3. 内装增安型接线端子。端子数量可根据用户要求配置;
4. 所有外露紧固件均采用不锈钢材质;
5. 开孔式防爆防腐接线盒电缆进线方向,可根据用户要求做成上进、下进、左进、右进等多种形式;
6. 进线口通常采用管螺纹,配置电缆引入装置;也可根据用户现场要求,制成公制螺纹、NPT螺纹等形式;
7. 采用特殊设计的防护措施,并装有密封条,防护能力强;
8. 钢管、电缆布线均可。

1. The outer casing is made of glass fiber unsaturated polyester resin, which is resistant to strong corrosion and strong impact resistance. The permanent “Ex” explosion-proof mark printed on the product;
2. There are two types of product shell structure, type A is four-type, type B is open-hole type, the number and specifications of cable introduction devices can be configured according to user requirements;
3. Built-in increased safety terminal block. The number of terminals can be configured according to user requirements;
4. All exposed fasteners are made of stainless steel;
5. The opening direction of the open-hole anti-corrosion junction box cable can be made into various forms such as up, down, left, and right according to user requirements;
6. The inlet port usually adopts pipe thread and is equipped with cable introduction device; it can also be made into metric thread, NPT thread, etc. according to user's site requirements;
7. Specially designed protective measures and sealing strips are provided for strong protection;
8. Steel pipes and cable wiring are available.

### ■ 主要技术参数 Main technical parameters

型号规格 Type	额定电压 Rated voltage	额定电流 (A) Rated current	端子 Terminal	导线截面 Wire section
BJH8030/A	500V	20	6×4mm <sup>2</sup> +1 PE	4mm <sup>2</sup> , PE2.5mm <sup>2</sup> (多股线)(many wires)
BJH8030/B1 BJH8030/C1			4×4mm <sup>2</sup> +1 PE	
BJH8030/B2 BJH8030/C2			8×4mm <sup>2</sup> +1 PE	
防爆标志 Ex-mark		防腐等级 Erosion-proof class		防护等级 Degree of protection
Ex eII T6 Gb Ex tD A21 IP66 80°C		WF2		IP65, IP66*

\*.要求IP66,需注明。IP66 requirements must be marked

防爆防腐接线箱、接线盒类

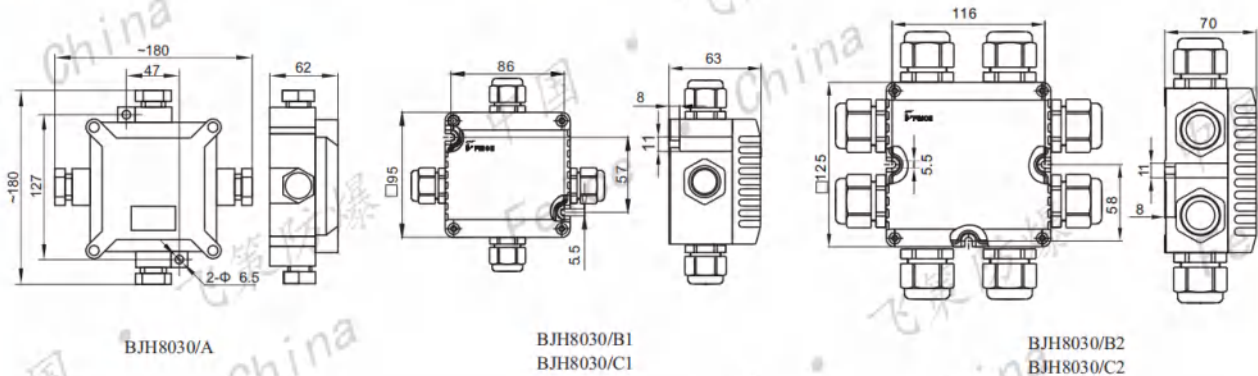
### 方案举例 Plan example

BJH8030/A1方案Plan	电缆入口/电缆外径 Cable inlet/cable outer dia.
	4×G $\frac{3}{4}$ / $\Phi$ 10~ $\Phi$ 14mm

BJH8030/B1方案Plan BJH8030/C1方案Plan	电缆入口/电缆外径 Cable inlet/cable outer dia.
	2×M20/ $\Phi$ 5.5~ $\Phi$ 13mm 2×M25/ $\Phi$ 8~ $\Phi$ 17mm
	3×M20/ $\Phi$ 5.5~ $\Phi$ 13mm 3×M25/ $\Phi$ 8~ $\Phi$ 17mm
	4×M20/ $\Phi$ 5.5~ $\Phi$ 13mm 4×M25/ $\Phi$ 8~ $\Phi$ 17mm

BJH8030/B2方案Plan BJH8030/C2方案 Plan	电缆入口/电缆外径 Cable inlet/cable outer dia.
	4×M25/ $\Phi$ 8~ $\Phi$ 17mm 4×M32/ $\Phi$ 12~ $\Phi$ 21mm
	6×M25/ $\Phi$ 8~ $\Phi$ 17mm 6×M32/ $\Phi$ 12~ $\Phi$ 21mm
	8×M25/ $\Phi$ 8~ $\Phi$ 17mm 8×M32/ $\Phi$ 12~ $\Phi$ 21mm

### 外形及安装尺寸 Outline & installation dimensions



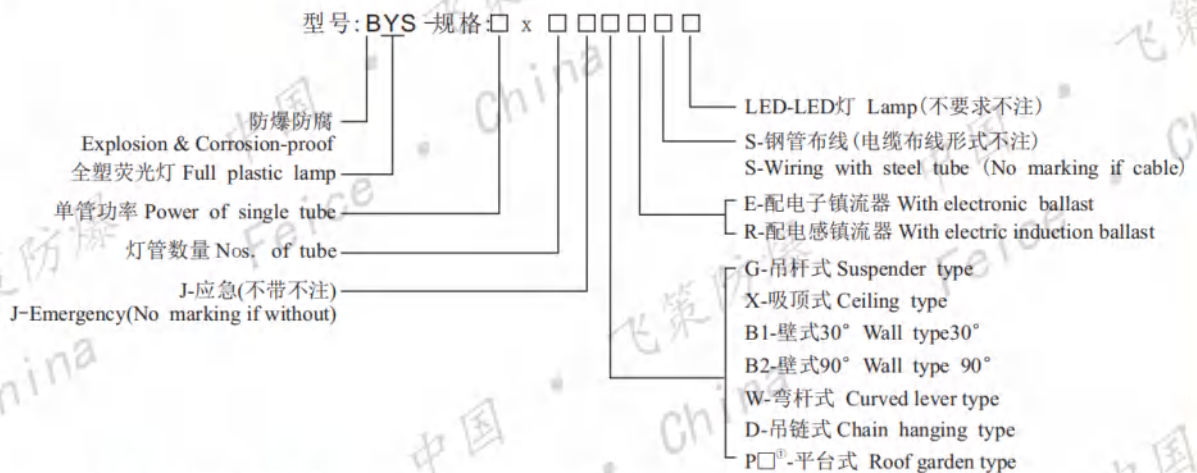
### 订货须知 Ordering note

- 按照型号含义中的规则逐条进行选择，并在型号含义后增加防爆标志。
  - 如用户有特殊需求，需在订购时详细指明。
1. According to the model implication's rules to select regularly, and Ex-mark should be added behind model implication;
  2. If there are some special requirements, it should be pointed as ordering.

防爆防腐接线箱、接线盒类



### ■ 型号含义 Model implication



①：“□”代表安装形式代号，分别有：F型、G型。

“□” Stands for installation forms code, there were respectively: F type, G type.

### ■ 适用范围 Applications

1. 广泛用于石油开采、炼油、化工、军工等危险环境及海洋石油平台、油轮等场所作普通照明及场景照明之用；
2. 适用于爆炸性气体环境的2区；
3. 适用于IIA、IIB、IIC类爆炸性气体环境；
4. 适用于可燃性粉尘环境的21区、22区；
5. 适用于防护要求较高、潮湿、含有腐蚀性气体的场所；
6. 适用于照明节能改造项目及检修更换困难的场所。

1. Widely used in petroleum exploration, oil refining, chemical, military and other dangerous environments and offshore oil platforms, oil tankers and other places for general lighting and lighting purposes;
2. 2 for explosive gas atmospheres;
3. Applicable to IIA, IIB, IIC explosive gas atmospheres;
4. Suitable for combustible dust environment 21, 22;
5. Applicable to the protection requirements of high, humid, containing corrosive gases in places;
6. Lighting for energy-saving projects and maintenance of replacement difficult place.

### ■ 执行标准 Accord with the standard for

GB3836.1、GB3836.2、GB3836.3、GB3836.7、GB3836.9、GB12476.1、GB12476.5、IEC60079-0、IEC60079-1、IEC60079-5、IEC60079-7、IEC60079-18、IEC61241-0、IEC61241-1；

# BYS-系列防爆防腐全塑(LED)荧光灯

## BYS-series explosion-proof anti-corrosion plastic (LED) fluorescent lamps



### 主要技术参数 Main technical parameters

功率(W) Power	防爆标志 Ex-mark	防护等级 Degree of protection	防腐等级 Erosion-proof class	电缆外径(mm) Cable outer dia.	重量(Kg) Weight
18 <sup>②</sup> (9) <sup>③</sup> ×(1~2)(J)	Ex de II C T4 Gb Ex de q II C T4 Gb	IP65 IP66 <sup>④</sup>	WF2	Φ8~14	8.0
36 <sup>②</sup> (18) <sup>③</sup> ×(1~2)(J)	Ex d n A q II C T5 Gc Ex t D A 21 IP66 T80°C				11.0

② 括号中为T8光源的功率。Parentheses for T8 light source power.

③ 括号中为LED光源的功率，LED灯仅适用于2区和22区。Parentheses for LED light source power, LED lights only apply to the 2 zone and the 22 zone.

④ 要求IP66，需注明。IP66 Requirements must be marked.

电压(V) Voltage	充电时间(h) Charging time	应急灯启动时间(s) Emergency start time	应急灯照明时间(min) Emergency lighting time
AC220V LED (AC85~265V)	24	≤0.3	≥90

注：应急照明装置仅使用荧光灯中的一根灯管作为应急照明；

Note: Emergency illumination device is just used as emergency illumination in one tube of fluorescent lamp.

### 产品结构及特点 Features

1. 外壳采用高强度的SMC模压成型，灯罩采用透光性能好、耐强冲击的聚碳酸酯注塑成型；
2. 外壳采用密封结构，具有良好的防尘、防水、防强腐蚀等性能；
3. 内装电子镇流器为我公司特制的防爆镇流器，具有短路和开路保护性能，针对灯管的老化效应和漏气现象配有预防电路，使灯具能正常工作，且高效节能 $\text{COS}\Phi \geq 0.98$ ，具有宽电压输入，在电压170~250V AC范围内，均能保持恒功率输出；
4. 配电感镇流器采用单脚快速瞬时启动灯光；
5. 可根据用户要求配置应急装置，当外界断电时，灯具自动切换到应急照明状态；
6. 灯具内装防爆开关，配置开盖断电连锁装置；
7. 电缆或钢管布线(钢管布线时请注明)。

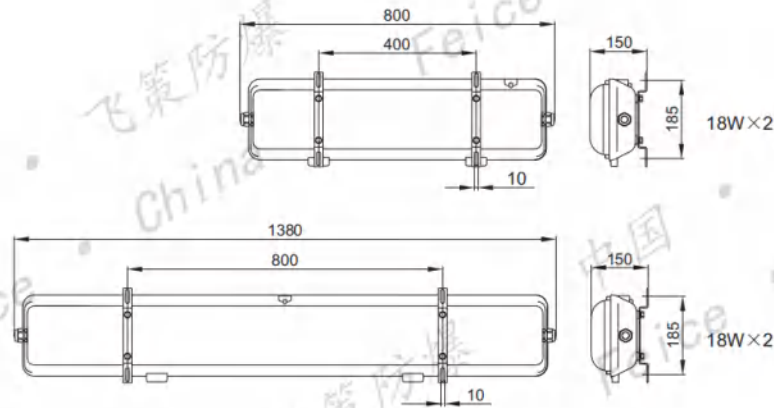
1. The enclosure is moulded by the high strength SMC. Lamp housing is made of polycarbonate, which has fine light transmittance and impact resistance properties.
2. It has sealing structure, which has ensured the great functions of water proof and dust proof.
3. Inner electronic ballast is our company's special explosion-proof ballast, and it has protection functions of short circuit and open circuit. For the phenomenons of tubes' aging effect and air leakage, it should have standby circuit in order to keep it working. The high energy saving is  $\text{COS}\Phi \geq 0.98$ , and it has the wide range of input voltage. It can keep conatant power output within 170V~250V AC.
4. The lamp, with electric induction ballast, is adopted the single pin to turn on instantly.
5. We can conform the customers' requirements to add an emergency device. If the power is cut off, it will be turned to emergency lighting automatically.
6. There is an explosion-proof switch in the interior, and it should be added interlock device for opening the cover, when the power is cut off.
7. Wiring with steel tube or cable. (Please specify wiring with steel tube.)



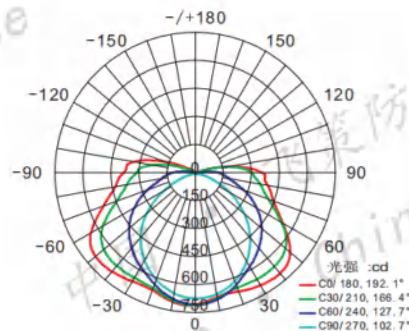
防爆  
荧光  
灯具

### 外形及安装尺寸 Outline & Installation dimensions

更多安装方式及安装尺寸, 见E-128/133。  
More installation and installation dimensions, see E-128/133.



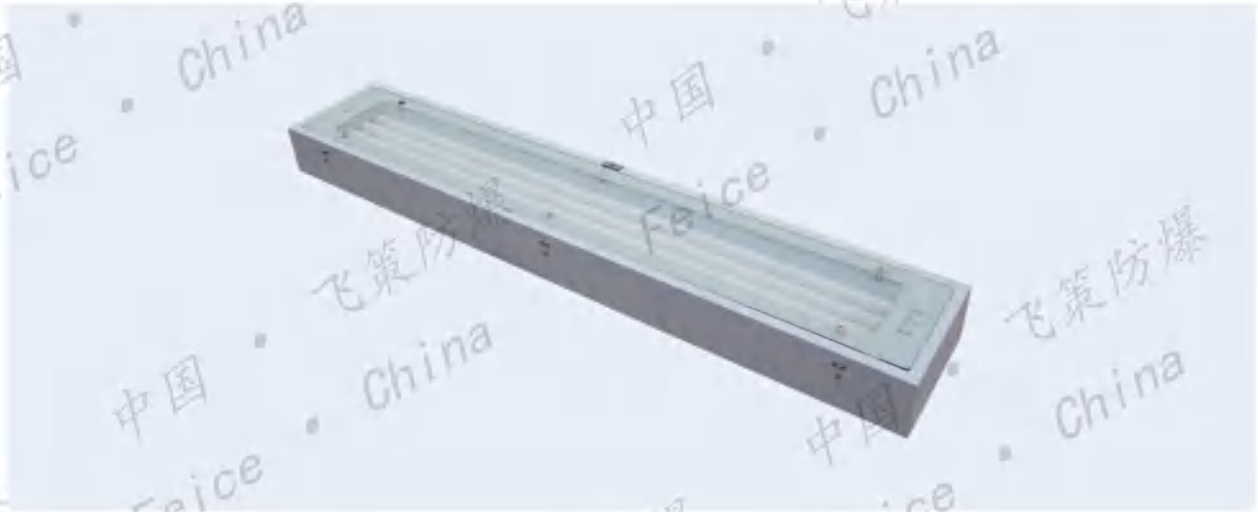
### 配光曲线 Luminous distribution curve



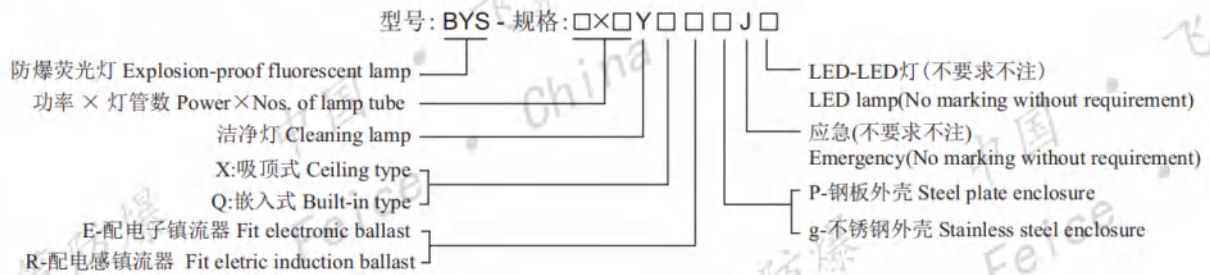
平均光束角(50%): 147.2度  
(40W)荧光灯 Fluorescent lamp

### 订货须知 Ordering note

- 按照型号规格含义中的规则逐条进行选择, 并在型号规格含义后增加防爆标志。具体体现为: “产品型号-规格代码+防爆标志+订购数量”。例如需要粉尘防爆单管18W, 两根灯管吸顶式安装的灯具, 配电子式镇流器, 订购数量20套, 则产品型号规格为: “型号: BYS-规格: 18×2XES + Ex tD A21 IP66 T80℃”
  - 应急照明装置仅使用荧光灯中的一根灯管作为应急照明;
  - 选定安装形式及配件见P431~P440页。
  - 如用户有特殊需求, 需在订购时详细指明。
- In accordance with the specifications of the meaning of the rules and regulations to choose one by one, and in the model specifications after the increase of explosion-proof mark. Concrete expression is: "product model - specification code + explosion-proof mark + order quantity". For example, the need for dust explosion-proof single-tube 18W, two lamp ceiling mounted lamps, with electronic ballasts, the number of 20 sets of orders, the product model specifications: "Model: BYS-Size: 18 × 2XES + Ex tD A21 IP66 T80 ° C"
  - Emergency illumination device is just used as emergency illumination in one tube of fluorescent lamp.
  - Refer to pages P431~P440 for the selected mounting styles and accessories.
  - If there are some special requirements, it should be pointed as ordering.



### ■ 型号含义 Model implication



### ■ 适用范围 Applications

1. 广泛用于石油开采、炼油、化工、军工等危险环境及海洋石油平台、油轮等场所作普通照明及作业照明之用;
2. 适用于爆炸性气体环境的1区、2区;
3. 适用于IIA、IIB、IIC类爆炸性气体环境;
4. 适用于可燃性粉尘环境的21区、22区;
5. 适用于防护要求较高、潮湿、含有腐蚀性气体的场所。

### ■ 主要技术参数 Main technical parameters

电压(V) Voltage	充电时间(h) Charging time	应急灯起动时间(s) Emergency start time	应急灯照明时间(min) Emergency lighting time	防爆标志 Ex-mark
Ac220 LED (AC85~265)	24	≤0.3	≥90	Ex de q IIC T4 Gb Ex de IIC T4 Gb Ex tD A21 IP66 T80°C
电缆外径(mm) Cable outer dia.	防护等级 Degree of protection	防腐等级 Erosion-proof class	功率(W) Voltage	重量(Kg) Weight
Φ10~14	IP65	WF1 WF2	18(9) <sup>①</sup> ×2	12.0
			36(18) <sup>①</sup> ×2	17.0

① 括号中为LED光源的功率。Parentheses for LED light source power

注：应急照明装置仅使用荧光灯中的一根灯管作为应急照明；

Note:Emergency illumination device is just used as emergency illumination in one tube of fluorescent lamp.

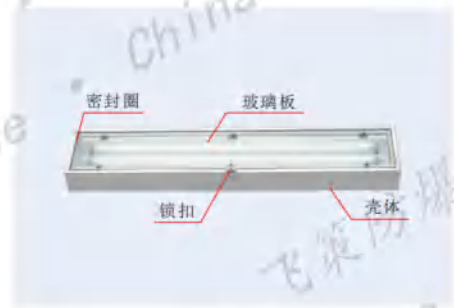
# BYS-□ x□ Y系列防爆防腐洁净(LED)荧光灯

## BYS-□×□Y Series erosion&explosion-proof fluorescent (LED)lamp(cleaning)



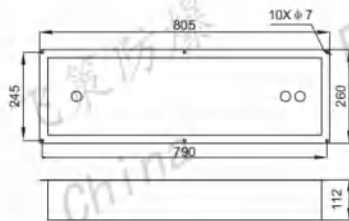
### ■ 产品结构及特点 Features

1. 外壳采用优质钢板或不锈钢板成型，透明件为钢化玻璃；
2. 采用专利中央锁结构，快速开盖，更换灯管方便；
3. 外壳采用密封结构，具有防水、防尘、防腐蚀等性能；
4. 内装电子镇流器为我公司特制的防爆镇流器，具有短路和开路保护性能，针对灯管的老化效应和漏气现象配有预防电路，使灯具能正常工作，且高效节能 $\text{COS}\phi \geq 0.99$ ，具有宽电压输入，在电压170~250V范围内均能保持恒功率输出；
5. 配有普通双脚T8灯管(配电子镇流器)或单脚灯管；
6. 可根据用户要求装配应急装置，当外界断电时，自动切换到应急照明状态；
7. 钢管或电缆布线(钢管布线时请注明)。

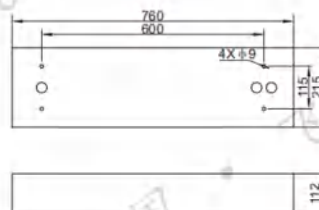


1. The enclosure is moulded with steel plate or stainless steel, the transparent part is made of toughened glass;
2. Patent centre locking structure, it is quick to open the cover, and convenient to replace lamp tube;
3. Sealing structure and with perfect water, dust and serious corrosion proof functions;
4. Built-in explosion-proof electronic ballast is specially made by our company, it's with short circuit, open circuit protection functions, the standby circuit is used for avoiding the aging or blow phenomena, the high energy saving r:  $\text{COS}\phi \geq 0.99$ , wide voltage input, It can keep constant power output within 170~250V.
5. Fitted normal double-tin T8 lamp tube (with electronic ballast) or single-tin tube;
6. It can be fitted with emergency device on request, the illumination can convert to emergency lighting state when the power is failure;
7. Wiring with cable or steel tube (Please note when wiring with steel tube).

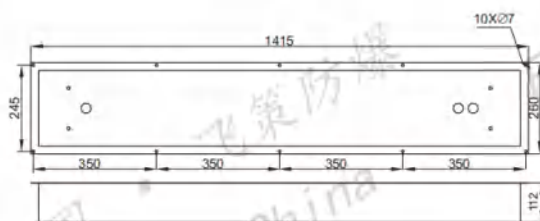
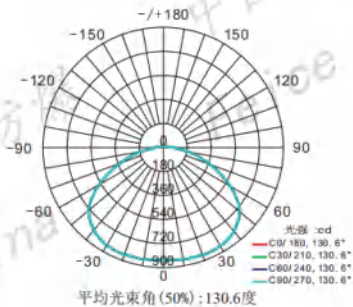
### ■ 外形及安装尺寸 Outline & Installation dimensions



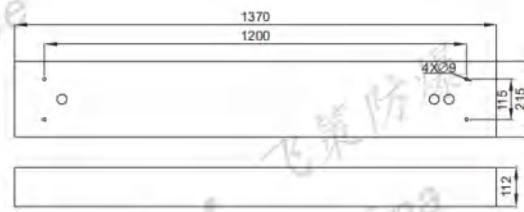
嵌入式 Embedded 18(9)W×2



吸顶式 Ceiling 18(9)W×2



嵌入式 Embedded 36(18)W×2



吸顶式 Ceiling 36(18)W×2

### ■ 订货须知 Ordering note

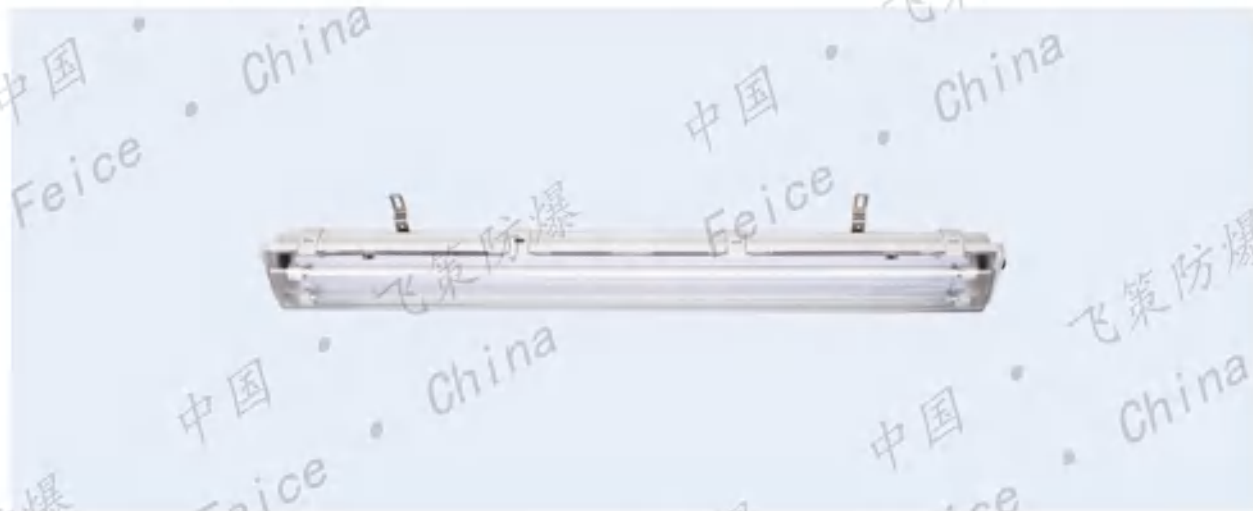
1. 按照型号规格含义中的规则逐条进行选择，并在型号规格含义后增加防爆标志。具体体现为：“产品型号-规格代码+防爆标志+订购数量”。例如需要II C 气体防爆36W洁净荧光灯，吸顶式安装，带电子镇流器，订购数量20套，则产品型号规格为：“型号：BYS-规格：36×2YX Eg+Exde q II CT4 Gb+20”。
2. 应急照明装置仅使用荧光灯中的一根灯管作为应急照明；
3. 如用户有特殊需求，需在订购时详细指明。

1. In accordance with the specifications of the meaning of the rules and regulations to choose one by one, and in the model specifications after the increase of explosion-proof mark. Concrete expression is: "product model - specification code + explosion-proof mark + order quantity". Such as the need for II C gas explosion-proof 36W clean fluorescent lamps, ceiling mounted, with electronic ballasts, the number of 20 sets of orders, the product model specifications: "Model: BYS - Specifications: 36 × 2YX Eg + Exde q II CT4 Gb + 20".
2. Emergency illumination device is just used as emergency illumination in one tube of fluorescent lamp.
3. If there are some special requirements, it should be pointed as ordering.

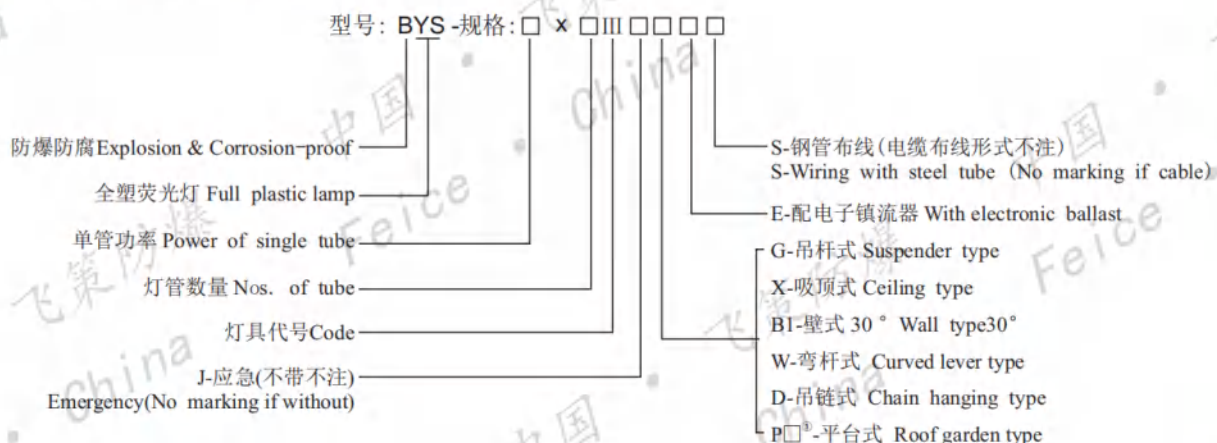
防爆荧光灯具

# BYS-III系列防爆防腐全塑荧光灯

BYS-III Series explosion & corrosion-proof full plastic fluorescent



## 型号含义 Model implication



①: “□”代表安装形式代号, 分别有: F型、G型。  
“□”stands for installation forms code, there were respectively: F type, G type.

## 适用范围 Applications

1. 广泛用于石油开采、炼油、化工、军工等危险环境及海洋石油平台、油轮等场所作普通照明及作业照明之用;
2. 适用于爆炸性气体环境的1区、2区;
3. 适用于II A、II B、II C类爆炸性气体环境;
4. 适用于可燃性粉尘环境的21区、22区;
5. 适用于防护要求较高、潮湿、含有腐蚀性气体的场所。

1. Widely used in oil extraction, oil refining, chemical industry, military and other dangerous environment and offshore oil platforms, oil tankers and other places for common lighting and working lighting;
2. Suitable for explosive gas environment zone 1, zone 2;
3. Explosive atmosphere: class II A, II B, II C;
4. Suitable for combustible dust environment in the area 22, 21;
5. Suitable for high protection requirements, damp places.

## 执行标准 Accord with the standard for

GB3836.1、GB3836.2、GB3836.3、GB3836.7、GB3836.9、GB12476.1、GB12476.5、IEC60079-0、IEC60079-1、IEC60079-5、IEC60079-7、IEC60079-18、IEC61241-0、IEC61241-1;

防爆荧光灯具



### ■ 主要技术参数 Main technical parameters

功率(W) power	电压(V) Voltage	充电时间(h) Charging time	应急灯起 动时间(s) Emergency start time	应急灯照 明时间(min) Emergency lighting time	防爆标志 Ex-mark	防护等级 Degree of protection	防腐等级 Erosion-proof class	电缆外径(mm) Cable outer dia.	重量(Kg) Weight
28×1(J)	AC220V	24 <sup>±</sup>	≤0.3 <sup>±</sup>	≥90 <sup>±</sup>	Ex deq II C T4 Gb Ex tD A21 IP66 T80℃	IP65 IP66 <sup>±</sup>	WF2	Φ8~14	5.0
28×2(J)									5.7

② 带应急时参数 Parameter for taking emergency.

③ 要求IP66, 需注明。 IP66 Requirements must be marked

注: 应急照明装置仅使用荧光灯中的一根灯管作为应急照明;

Note: Emergency illumination device is just used as emergency illumination in one tube of fluorescent lamp.

### ■ 产品结构及特点 Features

- 外壳采用增强聚碳酸酯材料压制而成, 具有强度高, 抗强冲击, 耐高温, 耐寒等特点;
- 本荧光灯光源采用最新一代的T5超细荧光灯, 具有以下特点:
  - 长度短, 具有更精确的光照控制;
  - 光效高, 更加符合实际照明环境, 灯管的光效高达104lm/W;
  - 具有超长的开关次数和使用寿命, 寿命高达20000小时;
  - 具有很高的流明维持率, 光衰慢, 10000小时后流明维持率高达92%;
  - 改善光束分配, 显色性高和节能环保, 28W的T5灯管光通量高于36W的T8灯管光通量;
- 反光罩采用特殊的弧形折弯, 且经过二次配光专业设计软件进行设计, 并通过实际测试检验, 反光罩反射后的光束分配更合理。
- 内装电子镇流器为我公司特制的防爆镇流器, 具有短路和开路保护性能, 针对灯管的老化效应和漏气现象配有预防电路, 使灯具能正常工作, 且高效节能 $\text{COS}\Phi \geq 0.98$ , 具有宽电压输入, 在电压170~250V Ac范围内, 均能保持恒功率输出, 不影响输出光效;
- 产品外壳带防爆呼吸装置;
- 荧光灯体和透明罩之间采用卡扣形式, 结合更加紧密, 采用特殊设计的密封条, 双重密封, 防护性能更加卓越;
- 维修简便, 开合时只需将螺丝刀插入卡扣的小口处就可以方便的进行开合;
- 灯具内装防爆行程开关, 配置开盖断电联锁装置;
- 可以根据用户要求加装应急装置。



- The enclosure is moulded by reinforced polycarbonate. It has some advantages of high intensity, strong impact resistance, high temperature resistant and cold resistance;
- This kind of lamp housing is the latest and superfine lamp of T5, whose features are as following:
  - Short length can control the lighting more accurately.
  - Great lighting effect can more accord with the actual illumination environment. The lighting effect of lamp tubes can reach 104 lm/W.
  - It has many times to be on-off and has a long working life. The working life can be lasted 20000 hours.
  - High luminous maintenance rate and slow optical decay. After 10000 hours, the luminous maintenance rate can reach 92%.
  - To improve the distributions of light beam, it has great color rendering, energy conservation and environmental protection. The luminous flux of T5 tubes with 28W is more than T8 tubes of 36W's.
- Reflector is cambered specially. After it has been designed by special software design of distribution for two times, and passed the actual test, the distribution of light beam can be more reasonable;
- Inner electronic ballast is our company's special explosion-proof ballast, and it has protection functions of short circuit and open circuit. For the phenomenons of tubes' aging effect and air leakage, it should have standby circuit in order to keep it working. The high energy saving is  $\text{COS}\Phi \geq 0.98$ , and it has the wide range of input voltage. It can keep constant power output and have no impact on the lighting effect output within 170V~250V AC;
- It has explosion-proof air-breathing apparatus on the enclosure;
- Buckle structure is used between the enclosure and transparent cover to get together more tightly. The special sealing strip can be sealed doubly and its protection is more perfect;
- Convenient maintenance. You can just put the screwdriver into the ventage of buckle to open and close;
- There is an explosion-proof travel switch in the interior, and it should be added interlock device for opening the cover, when the power is cut off;
- Add an emergency device to meet customers' requirements.

# BYS-III系列防爆防腐全塑荧光灯

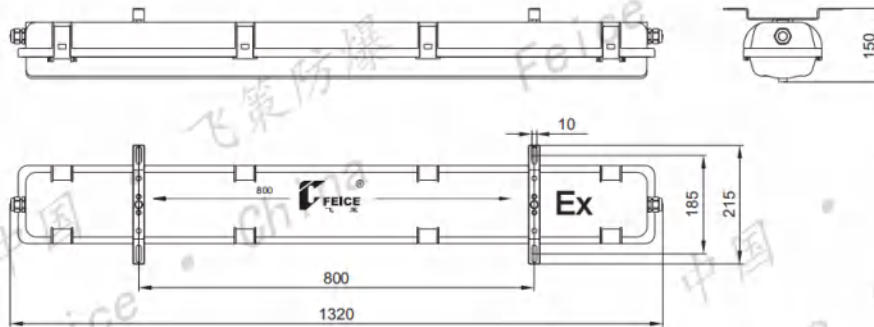
BYS-III Series explosion & corrosion-proof full plastic fluorescent



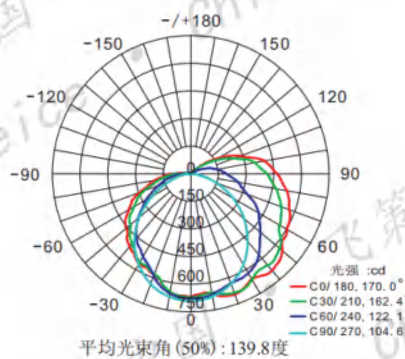
## 外形及安装尺寸 Outline & Installation dimensions

更多安装方式及安装尺寸，见E-128/133

More installation and installation dimensions, see E-128/133



## 配光曲线 Luminous distribution curve



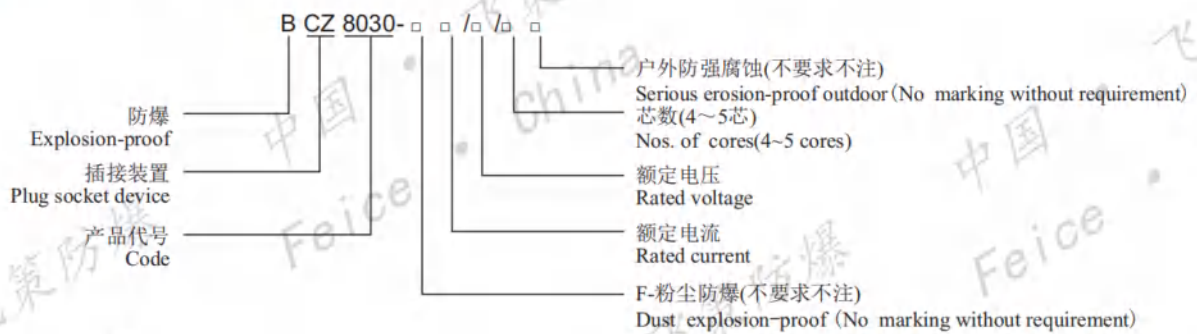
## 订货须知 Ordering note

- 按照型号规格含义中的规则逐条进行选择，并在型号规格含义后增加防爆标志。具体体现为：“产品型号-规格代码+防爆标志+订购数量”。例如需要粉尘防爆单管28W，两根灯管吸顶式安装的灯具，配电子式镇流器，订购数量20套，则产品型号规格为：“型号：BYS-规格：28×2III XE S + Ex tD A21 IP66 T80℃”；
  - 应急照明装置仅使用荧光灯中的一根灯管作为应急照明；
  - 选定安装形式及配件见P431~P440页。
  - 如用户有特殊需求，需在订购时详细指明。
- In accordance with the specifications of the meaning of the rules and regulations to choose one by one, and in the model specifications after the increase of explosion-proof mark. Concrete expression is: "product model - specification code + explosion-proof mark + order quantity". Such as the need for dust explosion-proof single tube 28W, two lamp ceiling mounted lamps, with electronic ballasts, the number of 20 sets of orders, the product model specifications: "Model: BYS- specification: 28 × 2 III XE S + Ex TD A21 IP66 T80 ° C;
  - Emergency illumination device is just used as emergency illumination in one tube of fluorescent lamp.
  - Refer to pages P431~P440 for the selected mounting styles and accessories.
  - If there are some special requirements, it should be pointed as ordering.

防爆荧光灯具



### ■ 型号含义 Model implication



### ■ 适用范围 Applications

1. 广泛用于石油开采、炼油、化工、海洋石油平台、油轮等易燃易爆气体环境，也用于军工、港口、粮食储存、金属加工等可燃性粉尘场所；
2. 适用于爆炸性气体环境的1区、2区；
3. 适用于IIA、IIB、IIC类爆炸性气体环境；
4. 适用于可燃性粉尘环境的21区、22区；
5. 适用于含有腐蚀性气体、潮湿、防护要求较高的场所；
6. 适用于温度组别为T1~T6；
7. 适用于在交流50HZ、电压至690V (380V)的线路中，作为电缆和用电设备的连接装置。

1. It is widely used in flammable and explosive gas environment such as oil exploitation, refining, chemical industry, offshore oil platform, oil tanker, etc. It is also used in flammable dust places such as military industry, port, grain storage and metal processing;
2. Applicable to Zone 1 and Zone 2 of explosive gas environment;
3. Applicable to IIA, IIB, IIC explosive gas environment;
4. Applicable to areas 21 and 22 of flammable dust environment;
5. Applicable to corrosive gases, moisture, and high protection requirements place;
6. Applicable to the temperature group is T1 ~ T6;
7. Applicable as a connection device for cables and electrical equipment in AC 50HZ, voltage to 690V (380V) lines.

### ■ 执行标准 Executive standard

GB 3836.1、GB 3836.2、GB 3836.3、GB 12476.1、GB 12476.5、IEC 60079-0、IEC 60079-1、IEC 60079-7、IEC 61241-0、IEC 61241-1、EN 60079-0、EN 60079-1、EN 60079-7、EN 61241-0、EN 61241-1

防爆防腐断路器、开关、插接装置类

### 产品特点 Features

1. 防爆型式为增安、隔爆复合型结构。
2. 外壳采用玻璃纤维高强度不饱和聚酯树脂（SMC）模压而成，具有耐腐蚀、抗冲击、热稳定性好等性能。
3. 额定电流为63A时芯数为分为4芯、5芯，额定电流为125A时极数为5芯，用户可根据需要进行选择。
4. 具有可靠的联锁功能，即插头插入底座以后需旋转插头使插头上面的箭头对准“1”表接通，这时插头无法拔出；只有旋转插头使插头上面的箭头对准“O”表切断，这时插头才能拔出。
5. 插头接触性能可靠，使用寿命长，插座内的插套有一个弹性的百叶式簧套(材质为铍青铜，经热处理)使插头既有自我清洁的特性，以保证了小的接触电阻和低温升，同时也将所要的插拔力降到了最低，百叶式簧套的设计保证了插头和插座功能的正常发挥和永久的自清洁效果，解决了插销在使用中受周围环境的影响(如湿度、尘埃)，确保了插销的电传输性能。
6. 开关手柄设有挂锁，不使用时可锁定，此时开关无法打开。
7. 产品所有外露紧固件均采用不锈钢材质。

1. Explosion-proof type is a combination of increased safety and explosion-proof structure.
2. The outer shell is molded with glass fiber high-strength unsaturated polyester resin (SMC), which has the properties of corrosion resistance, impact resistance and thermal stability.
3. When the rated current is 63A, the number of cores is divided into 4 cores and 5 cores. When the rated current is 125A, the number of poles is 5 cores. Users can choose according to their needs.
4. Has a reliable interlock function, that is, after the plug is inserted into the base body, the plug should be rotated so that the arrow on the plug is aligned with the "1" meter, and the plug cannot be pulled out; only the rotary plug aligns the arrow on the plug. The "O" watch is cut off and the plug can be pulled out.
5. The plug has reliable contact performance and long service life. The socket in the socket has a flexible louver spring sleeve (made of beryllium bronze and heat treated) to make the plug have self-cleaning characteristics to ensure small contact resistance and the low temperature rises, and the required insertion force is also minimized. The design of the louver spring sleeve ensures the normal function of the plug and socket and the permanent self-cleaning effect, which solves the influence of the plug on the surrounding environment during use (such as Humidity and dust) ensure the electrical transmission performance of the plug.
6. The switch handle is equipped with a padlock, which can be locked when not in use. The switch cannot be turned on at this time.
7. All exposed fasteners are made of stainless steel.

### 主要技术参数 Main technical parameters

额定电流 Rated current (A)	额定电压 Rated voltage (V)	极数 Nos. of poles	防爆标志 Ex-mark	防腐等级 Erosion-proof class	防护等级 Degree of protection	进线口螺纹 Inlet thread	插头电缆外径 Cable outer dia. (mm)
63	220/380/690	3P+PE, 3P+N+PE	Ex d e IIC T6 Gb Ex tD A21 IP66 T80°C	WF2	IP65,IP66*	M50	Φ19~Φ28
125	220/380/690	3P+N+PE				M63	Φ34~Φ53

\*. 要求IP66，需注明。 IP66 requirements must be marked

### 防爆插接装置时钟位置及颜色 Clock position and colour of explosion-proof plugs and sockets






防爆插接装置时钟位置及颜色介绍见P109~P110。

Clock position and colour of explosion-proof plugs and sockets Introduction see P109~P110.





防爆防腐断路器、开关、插接装置类

### 产品图样 Sample

时钟h, 电压, 电流 Time,voltage,current

 <p>BCZ8030-63A</p> <p>墙壁插座 Wall socket</p> <p>插头 Plug</p>	 <p>63A/4芯 cores 220-240V 3P+PE</p> <p>蓝色 Blue</p>
	 <p>63A/4芯 cores 380-415V 3P+PE</p> <p>红色 Red</p>
	 <p>63A/4芯 cores 500V 3P+N+PE</p> <p>黑色 Black</p>
	 <p>63A/4芯 cores 690V 3P+PE</p> <p>黑色 Black</p>
	 <p>63A/5芯 cores 380-415V 3P+N+PE</p> <p>黑色 Black</p>

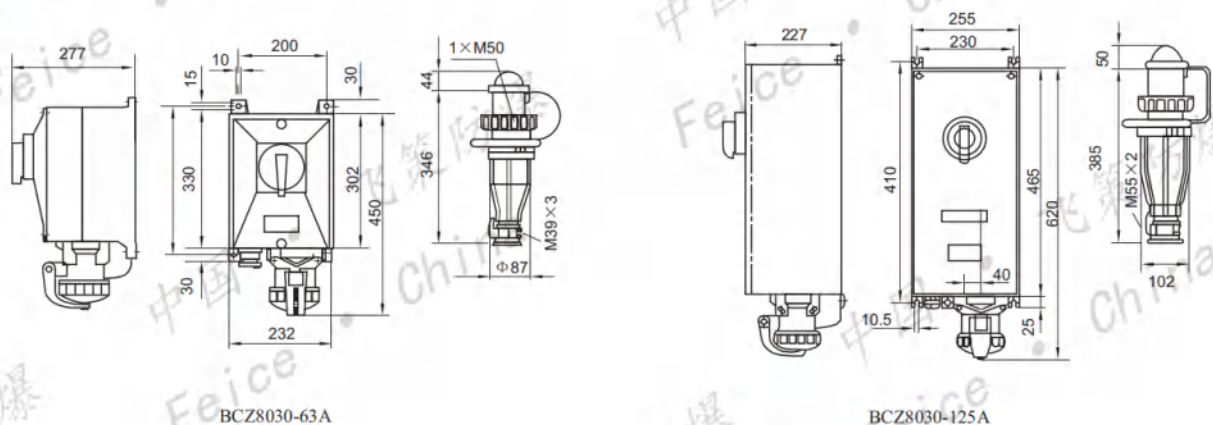
时钟h, 电压, 电流 Time,voltage,current

 <p>BCZ8030-125A</p> <p>墙壁插座 Wall socket</p> <p>插头 Plug</p>	 <p>125A/5芯 cores 220-240V 3P+N+PE</p> <p>蓝色 Blue</p>
	 <p>125A/5芯 cores 380-415V 3P+N+PE</p> <p>红色 Red</p>
	 <p>125A/5芯 cores 500V 3P+N+PE</p> <p>黑色 Black</p>
	 <p>125A/5芯 cores 690V 3P+N+PE</p> <p>黑色 Black</p>

### 插接装置接线图 Connection diagram



### 外形及安装尺寸 Outline & installation dimensions



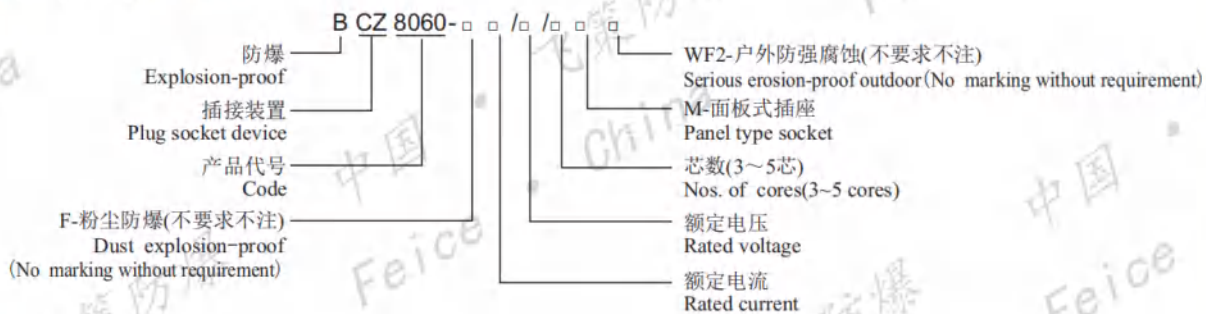
防爆防腐断路器、开关、插接装置类

# BCZ8060-系列防爆防腐插接装置

## BCZ8060- Series explosion-corrosion-proof plug socket device



### 型号含义 Model implication



### 适用范围 Applications

1. 广泛用于石油开采、炼油、化工、海洋石油平台、油轮等易燃易爆气体环境，也用于军工、港口、粮食储存、金属加工等可燃性粉尘场所；
  2. 适用于爆炸性气体环境的1区、2区；
  3. 适用于IIA、IIB、IIC类爆炸性气体环境；
  4. 适用于可燃性粉尘环境的21区、22区；
  5. 适用于含有腐蚀性气体、潮湿、防护要求较高的场所；
  6. 适用于温度组别为T1~T6；
  7. 适用于在交流50HZ、电压至690V(380V)的线路中，作为电缆和用电设备的连接装置。
1. It is widely used in flammable and explosive gas environment such as oil exploitation, refining, chemical industry, offshore oil platform, oil tanker, etc. It is also used in flammable dust places such as military industry, port, grain storage and metal processing;
  2. Applicable to Zone 1 and Zone 2 of explosive gas environment;
  3. Applicable to IIA, IIB, IIC explosive gas environment;
  4. Applicable to areas 21 and 22 of flammable dust environment;
  5. Applicable to corrosive gases, moisture, and high protection requirements place;
  6. Applicable to the temperature group is T1 ~ T6;
  7. Applicable to the line of AC 50HZ and voltage to 690V (380V), As a connection device for cables and electrical equipment.

### 执行标准 Executive standard

GB 3836.1、GB 3836.2、GB 3836.3、GB 12476.1、GB 12476.5、IEC 60079-0、IEC 60079-1、IEC 60079-7、IEC 61241-0、IEC 61241-1、EN 60079-0、EN 60079-1、EN 60079-7、EN 61241-0、EN 61241-1

### 产品特点 Features

1. 防爆型式为增安、隔爆复合型结构；
2. 外壳采用高强度玻璃纤维不饱和聚酯树脂模压而成，具有耐腐蚀、抗冲击、热稳定性好等特点；
3. 额定电流为16A时芯数为分为3芯、4芯、5芯，额定电流为32A时芯数为4芯、5芯，用户可根据需要进行选择；
4. 具有可靠的联锁功能，即插头插入座体以后需旋转插头使插头上面的箭头对准“T”表接通，这时插头无法拔出；只有旋转插头使插头上面的箭头对准“O”表切断，这时插头才能拔出；

防爆防腐断路器、开关、插接装置类

- 插头接触性能可靠，使用寿命长，插座内的插套有一个弹性的百叶式簧套(材质为铍青铜，经热处理)使插头既有自我清洁的特性，以保证了小的接触电阻和低温升，同时也将所要的插拔力降到了最低，百叶式簧套的设计保证了插头和插座功能的正常发挥和永久的自清洁效果，解决了插销在使用中受周围环境的影响(如湿度、尘埃)，确保了插销的电传输性能；
- 开关手柄设有挂锁，不使用时可锁定，此时开关无法打开；
- 产品所有外露紧固件均采用不锈钢材质；

- Explosion-proof type is increased safety and explosion-proof composite structure;
- The shell is molded with high-strength glass fiber unsaturated polyester resin, which has the characteristics of corrosion resistance, impact resistance and thermal stability.
- When the rated current is 16A, the number of cores is divided into 3 cores, 4 cores and 5 cores. When the rated current is 32A, the number of cores is 4 cores and 5 cores. Users can choose according to their needs;
- Has a reliable interlock function, that is, after the plug is inserted into the base body, the plug should be rotated so that the arrow on the plug is aligned with the "I" meter, and the plug cannot be pulled out; only the rotary plug aligns the arrow on the plug. "O" table is cut off, then the plug can be pulled out;
- The plug has reliable contact performance and long service life. The socket in the socket has a flexible louver spring sleeve (made of beryllium bronze and heat treated) to make the plug have self-cleaning characteristics to ensure small contact resistance and The low temperature rises, and the required insertion force is also minimized. The design of the louver spring sleeve ensures the normal function of the plug and socket and the permanent self-cleaning effect, which solves the influence of the plug on the surrounding environment during use (such as Humidity and dust) ensure the electrical transmission performance of the plug;
- The switch handle is equipped with a padlock, which can be locked when not in use. At this time, the switch cannot be opened;
- All exposed fasteners of the product are made of stainless steel;

### 主要技术参数 Main technical parameters

防爆标志 Ex-mark	防腐等级 Erosion-proof class	防护等级 Degree of protection	电缆入口/电缆外径 Cable entry/outer dia.	插头电缆外径 Plug cable outer dia. (mm)
Ex d e IIC T6 Gb Ex tD A21 IP66 T80°C	WF2	IP65,IP66*	16A: M25×1.5/Φ8~17mm	16A: Φ8~Φ19mm
			32A: M40×1.5/Φ13~27mm	32A: Φ12~Φ28mm

\*. 要求IP66，需注明。 IP66 requirements must be marked

### 防爆插接装置时钟位置及颜色 Clock position and colour of explosion-proof plugs and sockets

防爆插接装置时钟位置及颜色介绍见P109~P110。  
Clock position and colour of explosion-proof plugs and sockets Introduction see P109~P110.

### 产品图样 Sample

时钟h, 电压, 电流 Time, voltage, current

	<p>16A/3芯 cores 110-130V 1P+N+PE 黄色 Yellow</p>	<p>外形尺寸 Outline dimensions</p>		
	<p>16A/3芯 cores 200-250V 1P+N+PE 蓝色 Blue</p>			
	<p>插接装置接线图 Connection diagram</p> <p>1P+N+ (接地)</p>	<p>壁式插座 Wall socket</p>	<p>面板式插座 Panel type socket</p>	<p>插头 Plug</p>

防爆防腐断路器、开关、插接装置类

# BCZ8060-系列防爆防腐插接装置

## BCZ8060- Series explosion-corrosion-proof plug socket device



时钟h, 电压, 电流 Time,voltage,current

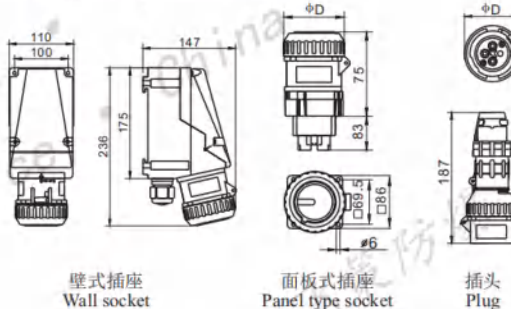
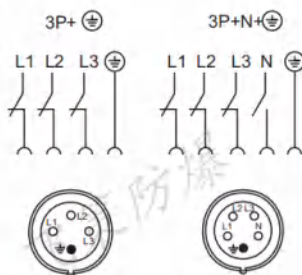
	16A/4芯 cores 220-250V 3P+PE 蓝色 Blue
	16A/4芯 cores 380-415V 3P+PE 红色 Red
	16A/4芯 cores 500V 3P+PE 黑色 Black
	16A/4芯 cores 690V 3P+PE 黑色 Black

时钟h, 电压, 电流 Time,voltage,current

	16A/5芯 cores 220-250V 3P+N+PE 蓝色 Blue
	16A/5芯 cores 380-415V 3P+N+PE 红色 Red
	16A/5芯 cores 500V 3P+N+PE 黑色 Black
	16A/5芯 cores 690V 3P+N+PE 黑色 Black

插接装置接线图 Connection diagram

外形尺寸 Outline dimensions



极数 Nos of poles	Φ D(mm)
3P+ ⊕	95
3P+N+ ⊕	100

### 产品图样 Sample

时钟h, 电压, 电流 Time,voltage,current

	32A/4芯 cores 220-250V 3P+PE 蓝色 Blue
	32A/4芯 cores 380-415V 3P+PE 红色 Red
	32A/4芯 cores 500V 3P+PE 黑色 Black
	32A/4芯 cores 690V 3P+PE 黑色 Black

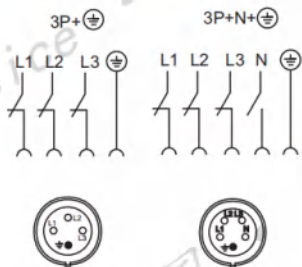
时钟h, 电压, 电流 Time,voltage,current

	32A/5芯 cores 220-250V 3P+N+PE 蓝色 Blue
	32A/5芯 cores 380-415V 3P+N+PE 红色 Red
	32A/5芯 cores 500V 3P+N+PE 黑色 Black
	32A/5芯 cores 690V 3P+N+PE 黑色 Black

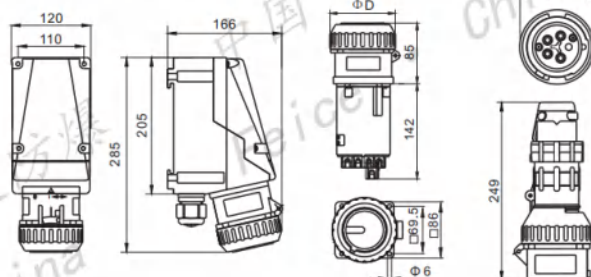
防爆防腐断路器、开关、插接装置类



插接装置接线图 Connection diagram



外形尺寸 Outline dimensions



壁式插座  
Wall socket

面板式插座  
Panel type socket

插头  
Plug

极数 Nos of poles	Φ D(mm)
3P+ ⊕	95
3P+N+ ⊕	100

### ■ 订货须知 Ordering note

- 按照型号含义中的规则逐条进行选择，并在型号含义后增加防爆标志。  
1. According to the model implication's rules to select regularly, and Ex-mark should be added behind model implication;
- 如用户有特殊需求，需在订购时详细指明。  
2. If there are some special requirements, it should be pointed as ordering.

防爆防腐断路器、开关、插接装置类